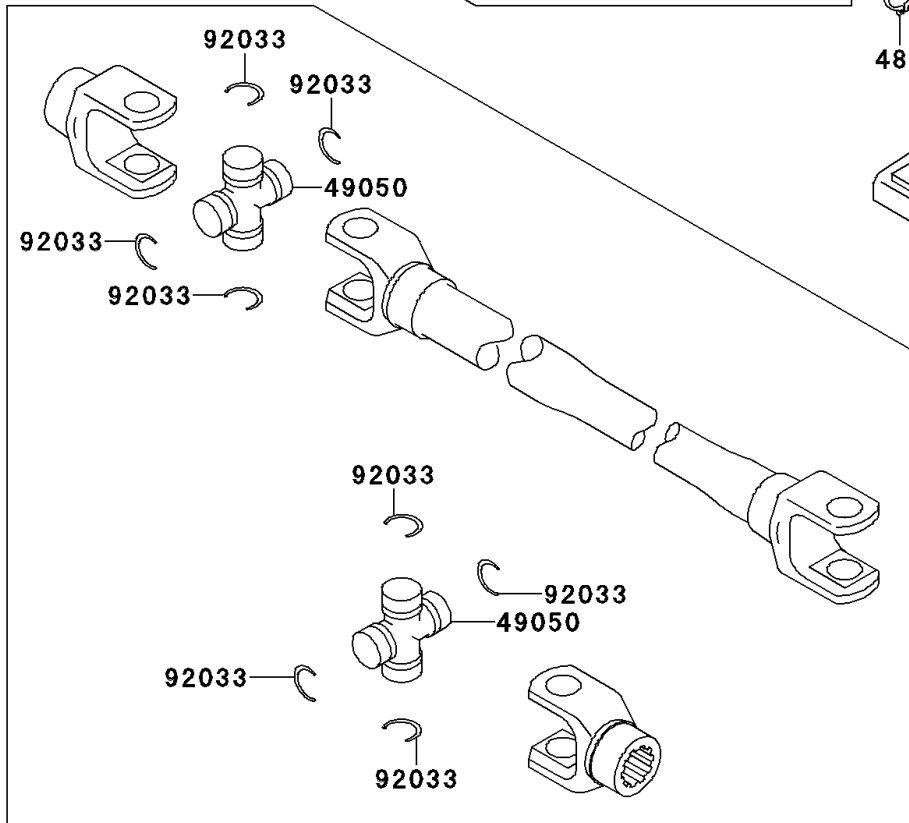
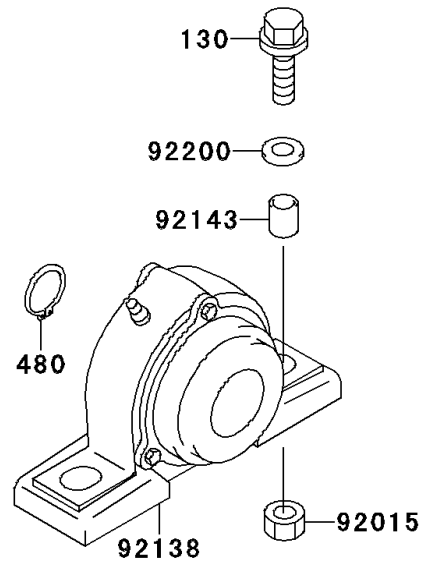
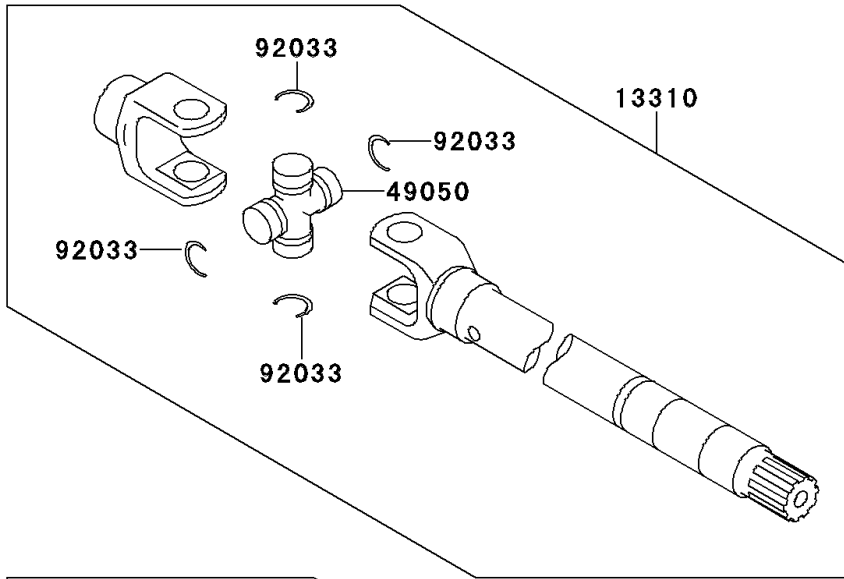


Mule 2510 4X4 PARTS DIAGRAM

Drive Shaft(Propeller)

E3134



Mule 2510 4X4 PARTS LIST

Drive Shaft(Propeller)

ITEM NAME	PART NUMBER	QUANTITY
BOLT-FLANGED,10X30 (Ref # 130)	130J1030	2
CIRCLIP-TYPE-C,25MM (Ref # 480)	480J2500	1
SHAFT-ASSY (Ref # 13310)	13310-1011	1
SHAFT-ASSY-DRIVE (Ref # 39158)	39158-1083	1
SPIDER (Ref # 49050)	49050-1055	3
NUT,LOCK,10MM (Ref # 92015)	92015-1808	2
RING-SNAP (Ref # 92033)	92033-1158	12
BEARING-COMP (Ref # 92138)	92138-1052	1
COLLAR,10.3X12.7X15 (Ref # 92143)	92143-1634	2
WASHER,10.5X19X2.3 (Ref # 92200)	92200-1042	2