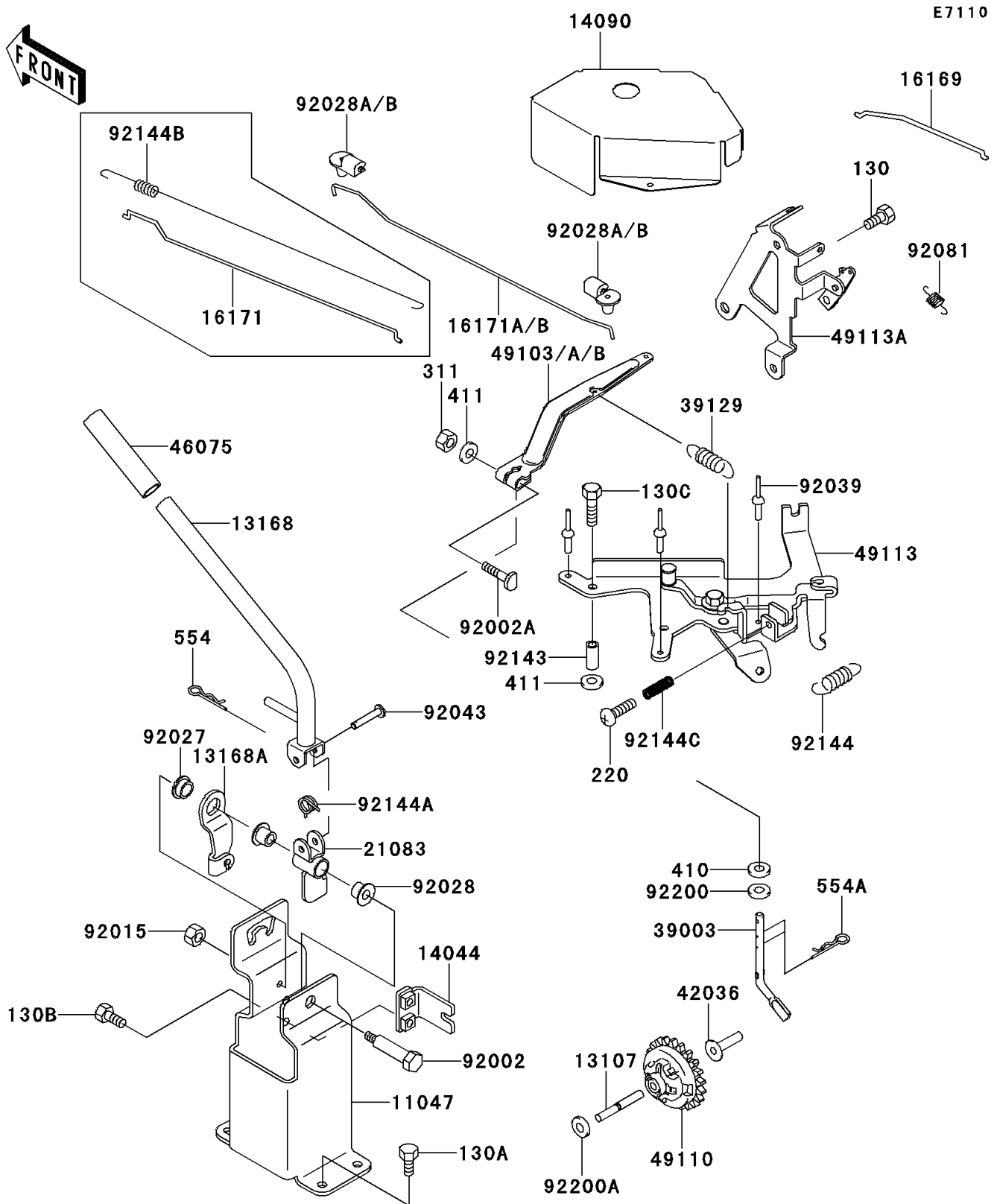


# Mule 2510 4X4 PARTS DIAGRAM

Control



# Mule 2510 4X4 PARTS LIST

## Control

ITEM NAME	PART NUMBER	QUANTITY
BRACKET (Ref # 11047)	11047-1882	1
SHAFT (Ref # 13107)	13107-2235	1
LEVER (Ref # 13168)	13168-1424	1
LEVER,CHANGE 2WD/4WD (Ref # 13168A)	13168-1515	1
HOLDER-CABLE (Ref # 14044)	14044-1077	1
COVER,CONTROL PANEL (Ref # 14090)	14090-1335	1
LINK-CHOKE (Ref # 16169)	16169-2113	1
LINK,GOVERNOR (Ref # 16171)	16171-1058	1
LINK,GOVERNOR (Ref # 16171B)	16171-1059	1
ARM,CHANGE LEVER (Ref # 21083)	21083-1102	1
ARM-PIVOT,GOVERNOR (Ref # 39003)	39003-1053	1
SPRING-GOVERNOR (Ref # 39129)	39129-1011	1
SLEEVE (Ref # 42036)	42036-2060	1
GRIP,PARKING BRAKE LEVER (Ref # 46075)	46075-1062	1
ARM-GOVERNOR (Ref # 49103)	49103-1054	1
ARM-GOVERNOR (Ref # 49103B)	49103-1055	1
GOVERNOR-ASSY (Ref # 49110)	49110-1081	1
PANEL-COMP-CONTROL (Ref # 49113)	49113-1056	1
PANEL-COMP-CONTROL (Ref # 49113A)	49113-2143	1
BOLT (Ref # 92002)	92002-1984	1
BOLT,6X28 (Ref # 92002A)	92002-2269	1
NUT,LOCK,FLANGED,6MM (Ref # 92015)	92015-1675	1
COLLAR,L=5 (Ref # 92027)	92027-1029	1
BUSHING (Ref # 92028)	92028-1507	2
BUSHING,GOVERNOR (Ref # 92028B)	92028-2156	2
RIVET,BLIND,4.0X9.2 (Ref # 92039)	92039-1163	3
PIN,5X27.5 (Ref # 92043)	92043-1434	1
SPRING,BRAKE LEVER RETURN (Ref # 92081)	92081-1922	1
COLLAR,6.8X10X42 (Ref # 92143)	92143-1072	2

# Mule 2510 4X4 PARTS LIST

## Control

ITEM NAME	PART NUMBER	QUANTITY
SPRING,CONTROL (Ref # 92144)	92144-1410	1
SPRING,LEVER (Ref # 92144A)	92144-1428	1
SPRING,GOVERNOR LINK (Ref # 92144B)	92144-1723	1
BOLT-FLANGED,8X16 (Ref # 130)	130B0816	1
BOLT-FLANGED (Ref # 130A)	130D0610	4
BOLT-FLANGED,6X14 (Ref # 130B)	130D0614	2
BOLT-FLANGED,6X55 (Ref # 130C)	130G0655	2
SCREW-PAN-CROS (Ref # 220)	220B0522	1
NUT-HEX,6MM (Ref # 311)	311B0600	1
WASHER-PLAIN-SMALL,6MM (Ref # 410)	410B0600	1
WASHER-PLAIN,6MM (Ref # 411)	411B0600	3
PIN-SNAP (Ref # 554)	554A0500	1
PIN-SNAP (Ref # 554A)	554A0600	2
SPRING (Ref # 92144C)	92144-2266	1
WASHER,6.5X11.5X2.0 (Ref # 92200)	92200-2029	1
WASHER,6.2X20X0.5 (Ref # 92200A)	92200-2036	1