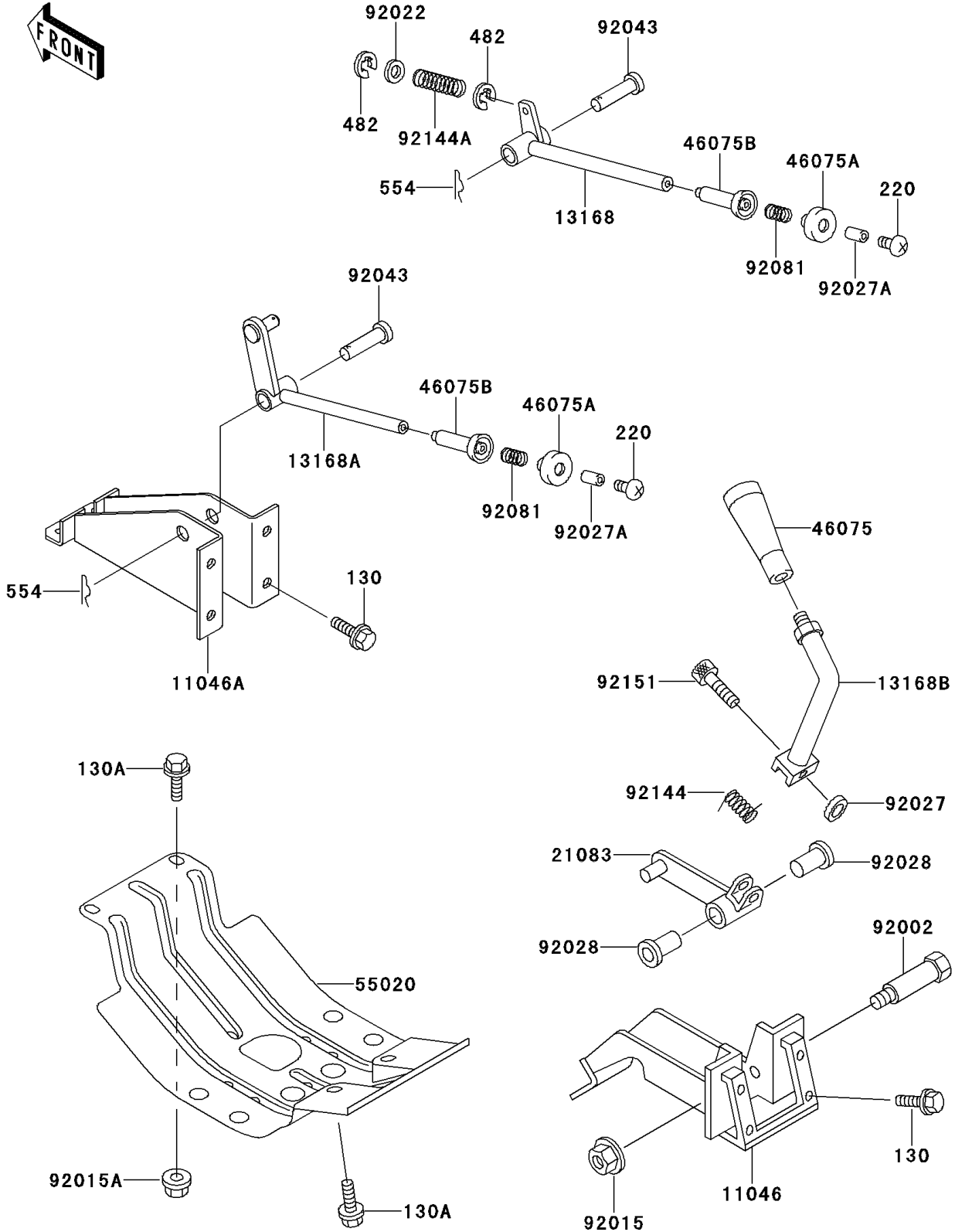


Mule 2510 4X4 PARTS DIAGRAM

Frame Fittings(Lever)

F2131A



Mule 2510 4X4 PARTS LIST

Frame Fittings(Lever)

ITEM NAME	PART NUMBER	QUANTITY
BOLT-FLANGED,6X12 (Ref # 130)	130C0612	8
BOLT-FLANGED,10X16 (Ref # 130A)	130G1016	4
SCREW-PAN-CROS (Ref # 220)	220C0514	2
CIRCLIP-TYPE-E,8MM (Ref # 482)	482L8000	2
PIN-SNAP,10MM (Ref # 554)	554A1000	2
BRACKET,SHIFT LEVER (Ref # 11046)	11046-1677	1
BRACKET,HI-LOW RANGE (Ref # 11046A)	11046-1751	1
LEVER,DIFF MODE CONTROL (Ref # 13168)	13168-1428	1
LEVER,HI-LOW RANGE (Ref # 13168A)	13168-1430	1
LEVER,SHIFT (Ref # 13168B)	13168-1440	1
ARM,SHIFT LEVER (Ref # 21083)	21083-1085	1
GRIP,SHIFT LEVER (Ref # 46075)	46075-1075	1
GRIP,UPP (Ref # 46075A)	46075-1085	2
GRIP,LWR (Ref # 46075B)	46075-1086	2
GUARD,FRONT DIFF CASE (Ref # 55020)	55020-1343	1
BOLT (Ref # 92002)	92002-1984	1
NUT,LOCK,FLANGED,6MM (Ref # 92015)	92015-1675	2
NUT,LOCK,10MM (Ref # 92015A)	92015-1808	2
WASHER,10.5X26X2.3 (Ref # 92022)	92022-044	1
COLLAR,6.3X10X4.8 (Ref # 92027)	92027-1066	1
COLLAR (Ref # 92027A)	92027-1987	2
BUSHING (Ref # 92028)	92028-1507	2
PIN,10X34 (Ref # 92043)	92043-1069	2
SPRING (Ref # 92081)	92081-1714	2
SPRING (Ref # 92144)	92144-1175	1
SPRING (Ref # 92144A)	92144-1510	1
BOLT,SOCKET,6X40 (Ref # 92151)	92151-1128	1