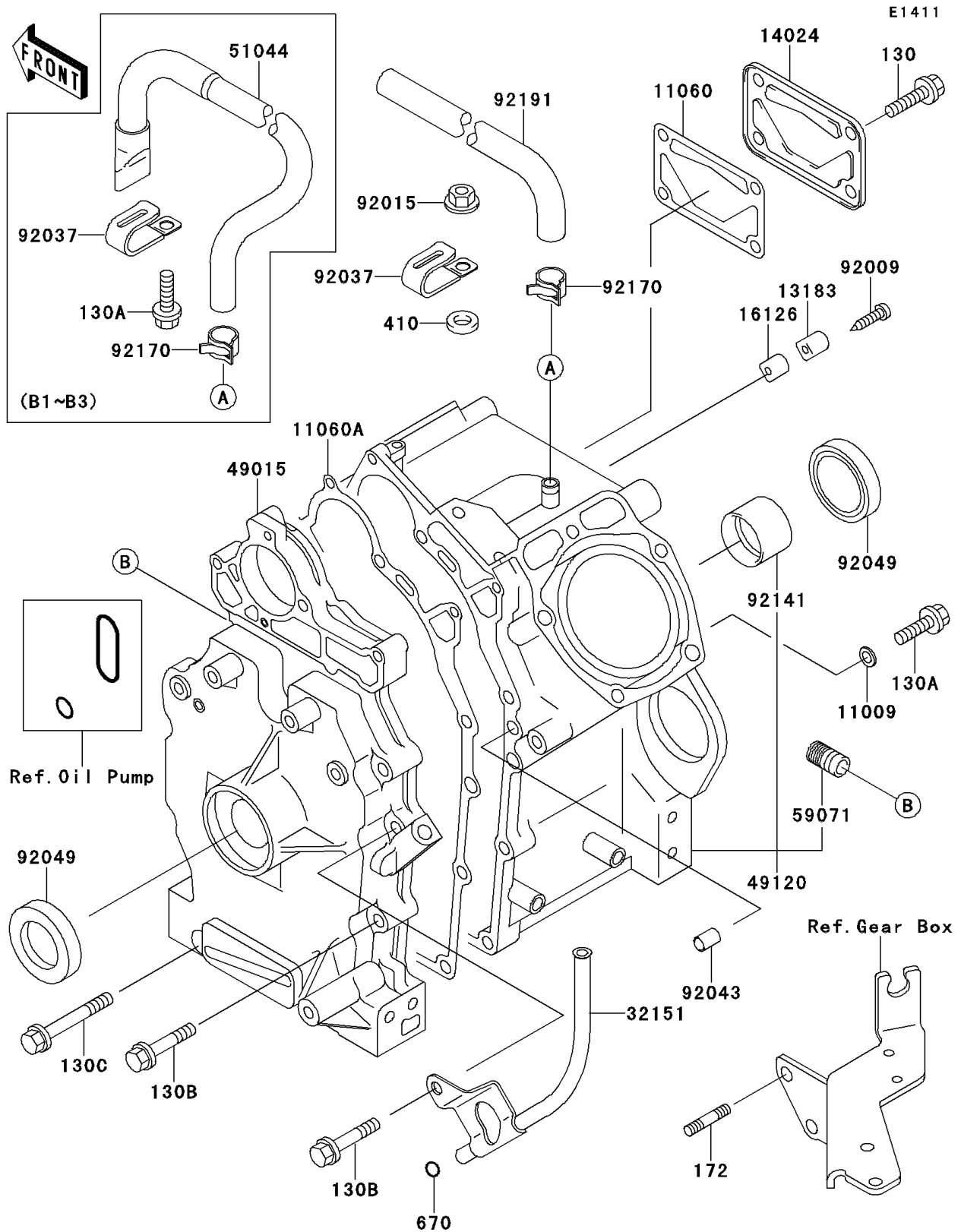


Mule 2520 Turf PARTS DIAGRAM

Crankcase



Mule 2520 Turf PARTS LIST

Crankcase

| ITEM NAME | PART NUMBER | QUANTITY |
|---------------------------------------|---------------|----------|
| BOLT-FLANGED,8X16 (Ref # 130) | 130B0816 | 4 |
| BOLT-FLANGED,8X12,BLACK (Ref # 130A) | 130C0812 | 3 |
| BOLT-FLANGED,8X45 (Ref # 130B) | 130G0845 | 6 |
| BOLT-FLANGED,8X60 (Ref # 130C) | 130G0860 | 2 |
| BOLT-STUD,8X25 (Ref # 172) | 172G0825 | 2 |
| O RING,10MM (Ref # 670) | 670B2010 | 1 |
| GASKET (Ref # 11009) | 11009-3028 | 2 |
| GASKET (Ref # 11060) | 11060-2089 | 1 |
| GASKET,CRANKCASE COVER (Ref # 11060A) | 11060-2284 | 1 |
| PLATE (Ref # 13183) | 13183-2120 | 1 |
| COVER (Ref # 14024) | 14024-2292 | 1 |
| VALVE (Ref # 16126) | 16126-2146 | 1 |
| PIPE,OIL GAUGE,F.BLACK (Ref # 32151) | 32151-2032-9H | 1 |
| COVER-CRANKCASE (Ref # 49015) | 49015-6193 | 1 |
| CRANKCASE-COMP (Ref # 49120) | 49120-6078 | 1 |
| TUBE-ASSY (Ref # 51044) | 51044-2080 | 1 |
| JOINT (Ref # 59071) | 59071-2079 | 1 |
| SCREW (Ref # 92009) | 92009-2308 | 1 |
| CLAMP (Ref # 92037) | 92037-2101 | 1 |
| PIN,DOWEL,10X14 (Ref # 92043) | 92043-1037 | 2 |
| SEAL-OIL (Ref # 92049) | 92049-2110 | 2 |
| BEARING-PLANE (Ref # 92141) | 92141-2110 | 1 |
| CLAMP (Ref # 92170) | 92170-3714 | 1 |