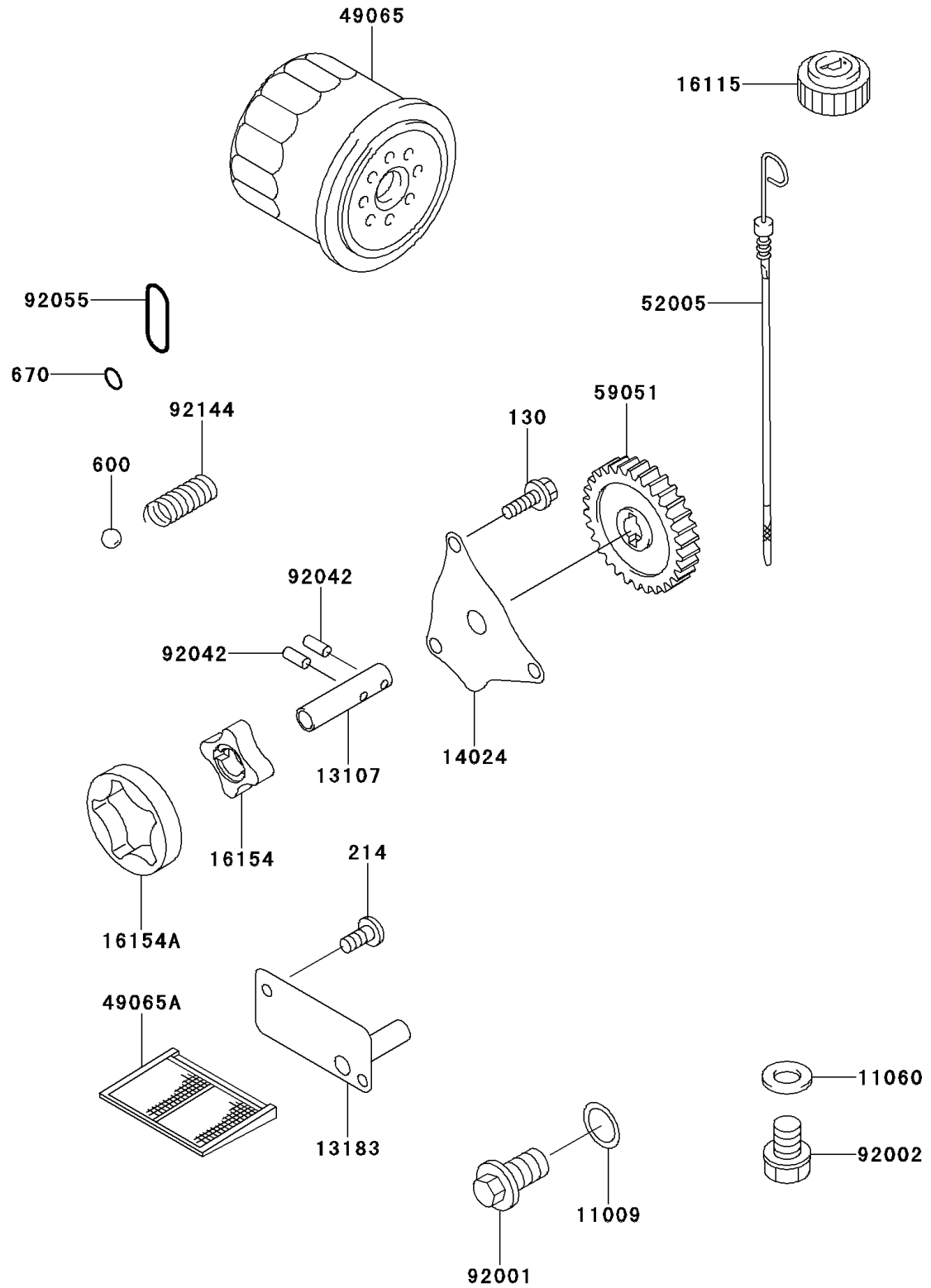


Mule 2520 Turf PARTS DIAGRAM

Oil Pump/Oil Filter

E1710



Mule 2520 Turf PARTS LIST

Oil Pump/Oil Filter

ITEM NAME	PART NUMBER	QUANTITY
BOLT-FLANGED (Ref # 130)	130B0614	3
SCREW-PAN+- (Ref # 214)	214B0512	2
BALL-STEEL,13/32" (Ref # 600)	600A1300	1
O RING,11MM (Ref # 670)	670B2011	1
GASKET,16.2X22X1 (Ref # 11009)	11009-1467	1
GASKET,ROCKER SHAFT (Ref # 11060)	11060-1287	1
SHAFT (Ref # 13107)	13107-2099	1
PLATE (Ref # 13183)	13183-2419	1
COVER (Ref # 14024)	14024-2113	1
CAP-OIL FILLER (Ref # 16115)	16115-2090	1
ROTOR-PUMP,IN (Ref # 16154)	16154-2053	1
ROTOR-PUMP,OUT (Ref # 16154A)	16154-2054	1
FILTER-OIL (Ref # 49065)	49065-2071	1
FILTER-OIL (Ref # 49065A)	49065-2072	1
GAUGE (Ref # 52005)	52005-2122	1
GEAR-SPUR (Ref # 59051)	59051-2114	1
BOLT,FLANGED,16X11.5 (Ref # 92001)	92001-1114	1
BOLT,14X10 (Ref # 92002)	92002-1513	1
PIN,DOWEL,4X15.8 (Ref # 92042)	92042-014	2
RING-O (Ref # 92055)	92055-2086	1
SPRING (Ref # 92144)	92144-2053	1