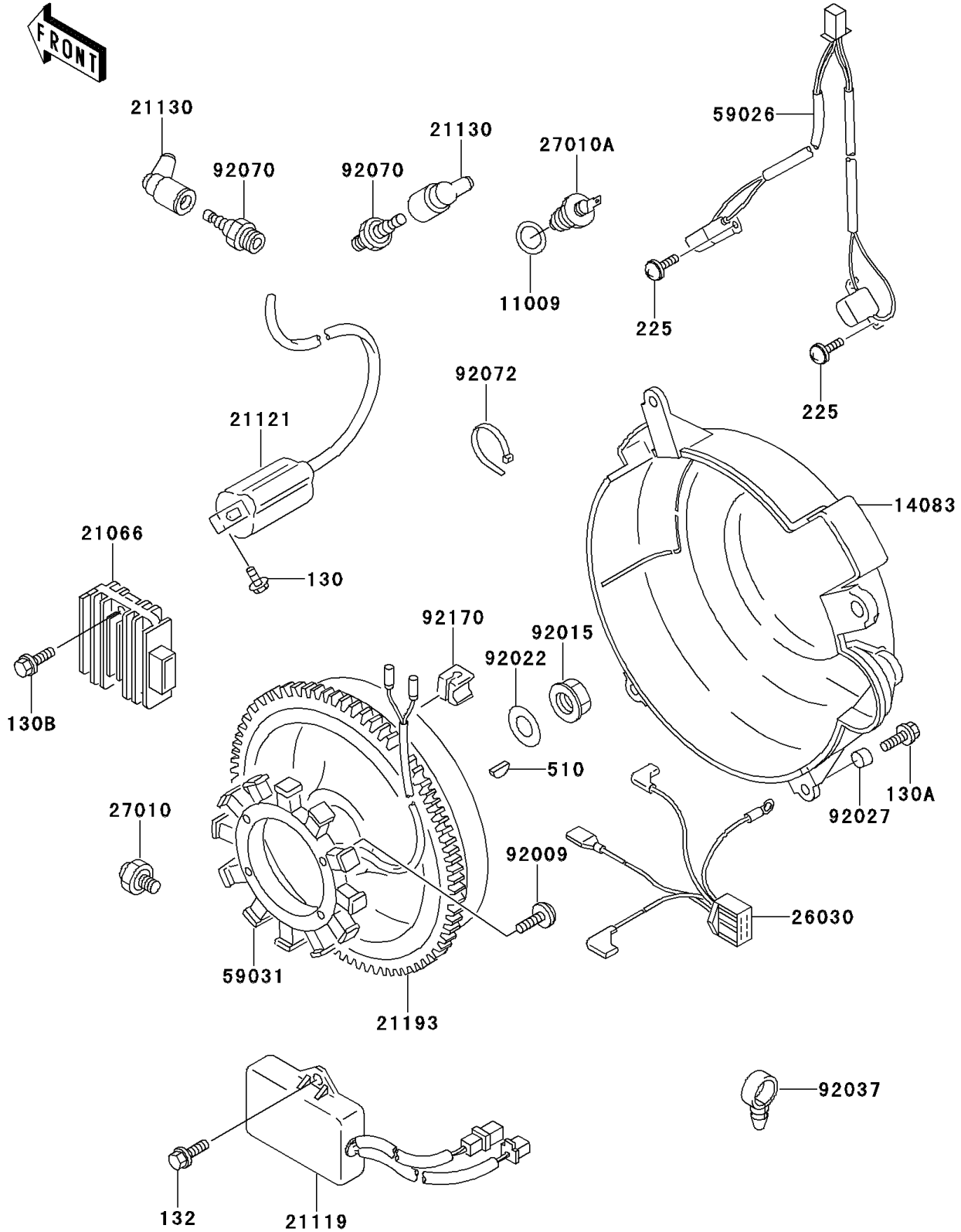


Mule 2520 Turf PARTS DIAGRAM

Generator/Ignition Coil

E1811



Mule 2520 Turf PARTS LIST

Generator/Ignition Coil

ITEM NAME	PART NUMBER	QUANTITY
BOLT-FLANGED (Ref # 130)	130B0520	4
BOLT-FLANGED,6X16 (Ref # 130A)	130B0616	3
BOLT-FLANGED (Ref # 130B)	130J0620	2
BOLT-FLANGED-SMALL (Ref # 132)	132J0612	2
SCREW-PAN-WSP-CROS (Ref # 225)	225B0414	4
KEY-WOODRUFF (Ref # 510)	510A5100	1
GASKET (Ref # 11009)	11009-2766	1
COVER-FLYWHEEL (Ref # 14083)	14083-2052	1
REGULATOR-VOLTAGE (Ref # 21066)	21066-2056	1
IGNITER (Ref # 21119)	21119-2157	1
COIL-IGNITION (Ref # 21121)	21121-2083	2
CAP-SPARK PLUG (Ref # 21130)	21130-2060	2
FLYWHEEL-ASSY (Ref # 21193)	21193-2149	1
HARNESS (Ref # 26030)	26030-2140	1
SWITCH,OIL PRESSURE (Ref # 27010)	27010-1313	1
SWITCH,TEMP (Ref # 27010A)	27010-2182	1
COIL-PULSING (Ref # 59026)	59026-2062	1
COIL-CHARGING (Ref # 59031)	59031-2103	1
SCREW (Ref # 92009)	92009-2273	4
NUT (Ref # 92015)	92015-2167	1
WASHER (Ref # 92022)	92022-2245	1
COLLAR,6.2X7.8X5 (Ref # 92027)	92027-2096	3
CLAMP,HOSE (Ref # 92037)	92037-1827	1
PLUG-SPARK,BMR2A(NGK) (Ref # 92070)	92070-2100	2
BAND,L=250 (Ref # 92072)	92072-1237	2
CLAMP (Ref # 92170)	92170-2056	1