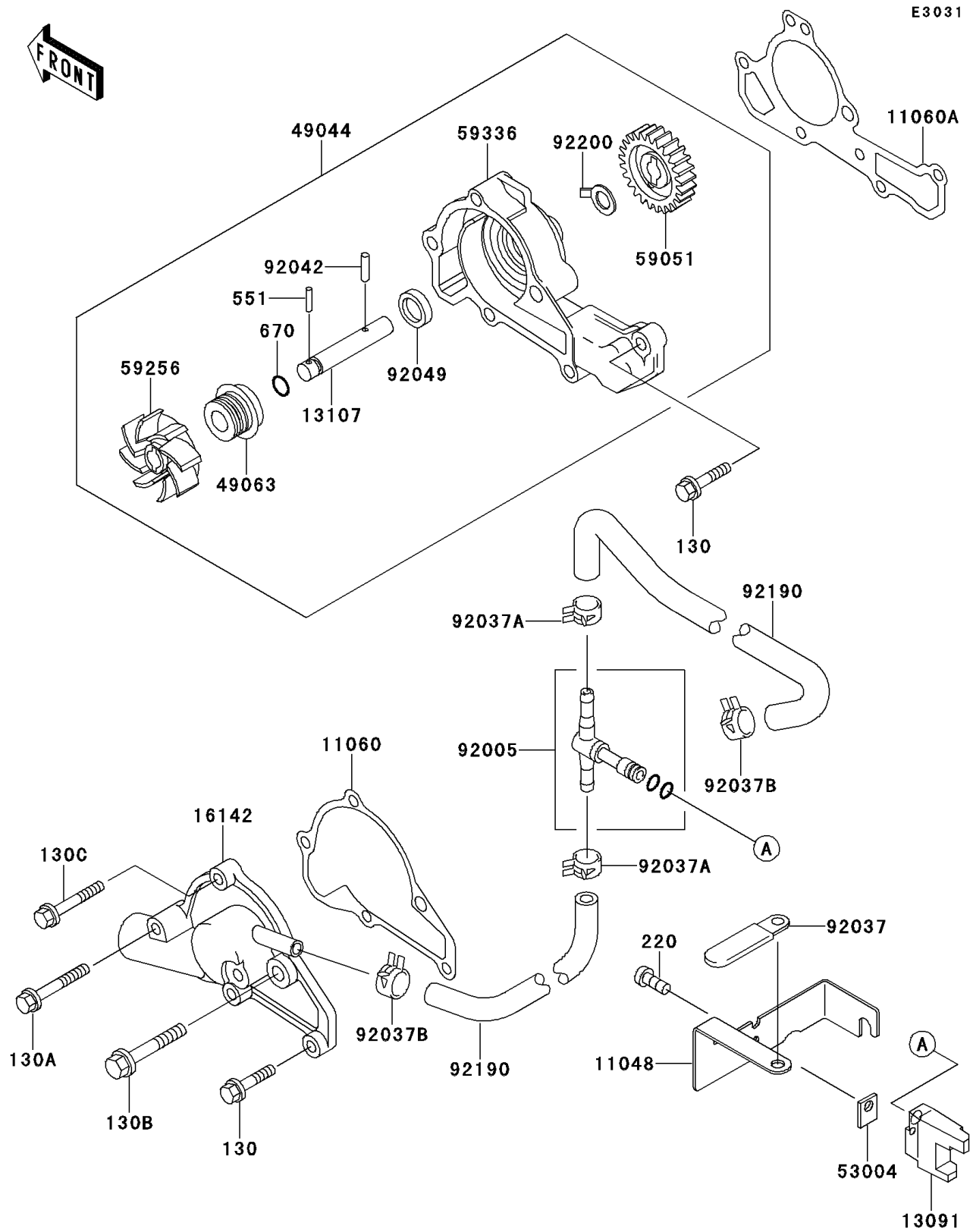


# Mule 2520 Turf PARTS DIAGRAM

Water Pump



# Mule 2520 Turf PARTS LIST

## Water Pump

ITEM NAME	PART NUMBER	QUANTITY
BOLT-FLANGED,6X45 (Ref # 130)	130G0645	3
BOLT-FLANGED,6X75 (Ref # 130A)	130G0675	1
BOLT-FLANGED,8X70 (Ref # 130B)	130G0870	1
BOLT-FLANGED (Ref # 130C)	130H0665	1
SCREW-PAN-CROS (Ref # 220)	220C0410	1
PIN-DOWEL,3X14 (Ref # 551)	551A0314	1
O RING,7MM (Ref # 670)	670B1507	1
BRACKET (Ref # 11048)	11048-2022	1
GASKET,PUMP COVER (Ref # 11060)	11060-2288	1
GASKET,PUMP CASE (Ref # 11060A)	11060-2289	1
HOLDER (Ref # 13091)	13091-2133	1
SHAFT (Ref # 13107)	13107-2097	1
COVER-PUMP (Ref # 16142)	16142-2069	1
PUMP-WATER (Ref # 49044)	49044-2058	1
SEAL-MECHANICAL (Ref # 49063)	49063-2056	1
MAT (Ref # 53004)	53004-2056	1
GEAR-SPUR (Ref # 59051)	59051-2113	1
IMPELLER (Ref # 59256)	59256-2057	1
CASE-PUMP (Ref # 59336)	59336-2052	1
FITTING,"T" (Ref # 92005)	92005-2057	1
CLAMP,L=45 (Ref # 92037)	92037-1539	1
CLAMP,PULSE TUBE (Ref # 92037A)	92037-2001	2
CLAMP (Ref # 92037B)	92037-2065	2
PIN,DOWEL,4X15.8 (Ref # 92042)	92042-014	1
SEAL-OIL (Ref # 92049)	92049-2111	1
TUBE (Ref # 92190)	92190-2156	2
WASHER (Ref # 92200)	92200-2044	1