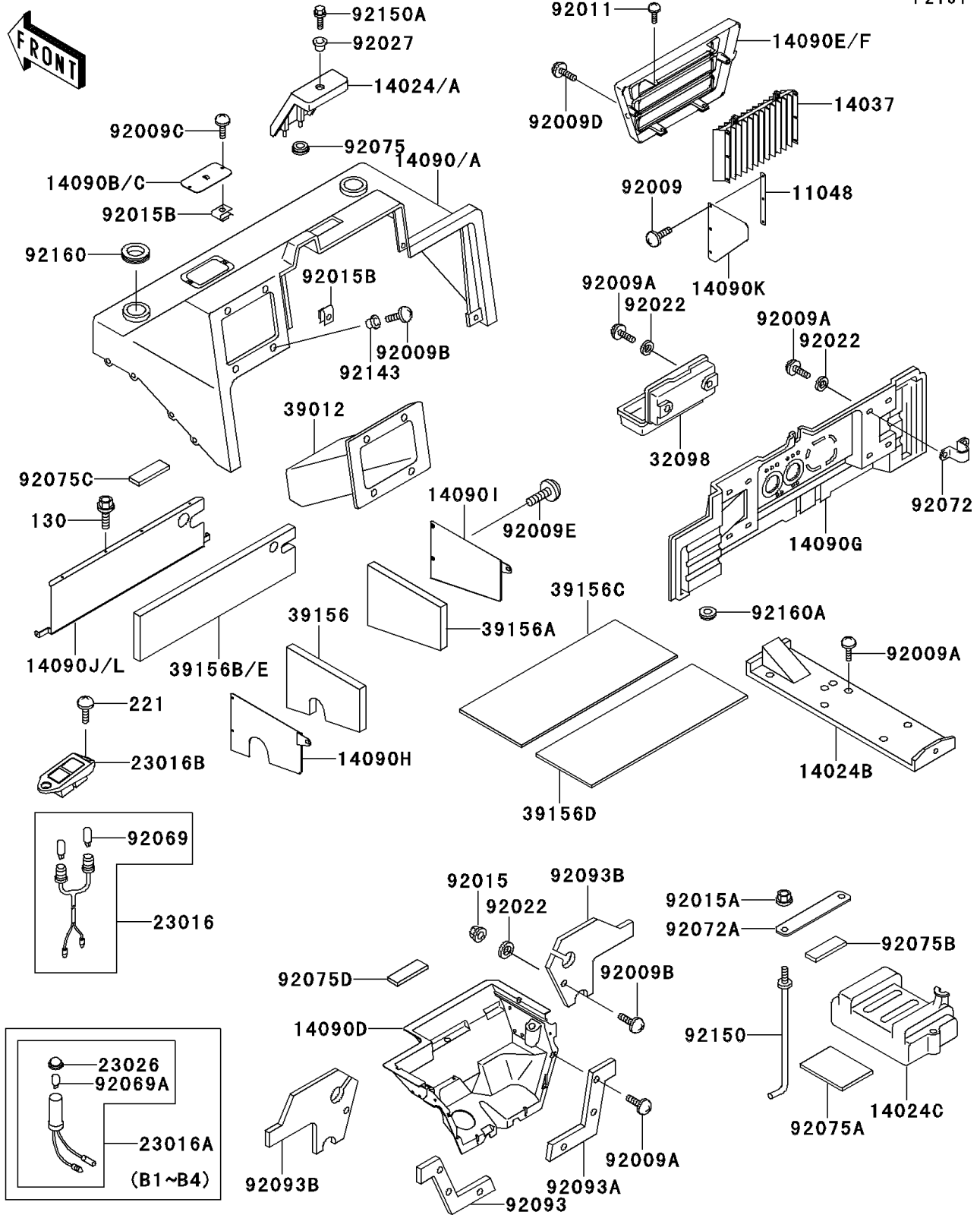


Mule 2520 Turf PARTS DIAGRAM

Frame Fittings(Cover)

F2131



Mule 2520 Turf PARTS LIST

Frame Fittings(Cover)

ITEM NAME	PART NUMBER	QUANTITY
BRACKET,SCREEN (Ref # 11048)	11048-1085	2
COVER,MAINTENANCE,H.GREEN (Ref # 14024)	14024-1788-6A	1
COVER,FLOOR,CNT (Ref # 14024B)	14024-1791	1
COVER,BATTERY (Ref # 14024C)	14024-1792	1
SCREEN (Ref # 14037)	14037-1177	1
COVER,UPP,H.GREEN (Ref # 14090)	14090-1240-6A	1
COVER,RADIATOR CAP,H.GREEN (Ref # 14090C)	14090-1241-B9	1
COVER,LWR (Ref # 14090D)	14090-1242	1
COVER,FRONT GRILL,H.GREEN (Ref # 14090E)	14090-1243-6A	1
COVER,SEAT UNDER (Ref # 14090G)	14090-1247	1
COVER,ENCLOSURE,LH (Ref # 14090H)	14090-1260	1
COVER,ENCLOSURE,RH (Ref # 14090I)	14090-1261	1
COVER,SCREEN (Ref # 14090K)	14090-1326	2
COVER,ENCLOSURE,FR (Ref # 14090L)	14090-1874	1
LAMP-ASSY,NEUTRAL&REVERSE (Ref # 23016)	23016-1083	1
LAMP-ASSY (Ref # 23016B)	23016-1177	1
CASE-TOOL (Ref # 32098)	32098-1052	1
CASE-STORAGE (Ref # 39012)	39012-1053	1
PAD,ENCLOSURE COVER,LH (Ref # 39156)	39156-1301	1
PAD,ENCLOSURE COVER,RH (Ref # 39156A)	39156-1302	1
PAD,CARRIER,FR (Ref # 39156C)	39156-1304	1
PAD,CARRIER,CNT (Ref # 39156D)	39156-1305	1
PAD,ENCLOSURE COVER,FR (Ref # 39156E)	39156-1583	1
SCREW,6X18,WHITE (Ref # 92009)	92009-1111	6
SCREW (Ref # 92009A)	92009-1166	23
BOLT-FLANGED (Ref # 130)	130J0612	5
SCREW-CSK-CROS (Ref # 221)	221C0616	2
SCREW,6X18,BLACK (Ref # 92009B)	92009-1181	8
SCREW,6X14 (Ref # 92009C)	92009-1288	2

Mule 2520 Turf PARTS LIST

Frame Fittings(Cover)

ITEM NAME	PART NUMBER	QUANTITY
SCREW,6X55 (Ref # 92009D)	92009-1353	2
SCREW,6X16 (Ref # 92009E)	92009-1621	4
SCREW (Ref # 92011)	92011-562	2
NUT,FLANGED,6MM (Ref # 92015)	92015-1386	2
NUT,FLANGED,8MM (Ref # 92015A)	92015-1406	2
NUT,CLAMP,6MM (Ref # 92015B)	92015-1678	7
WASHER,6.5X20X1.6,BLACK (Ref # 92022)	92022-1346	13
COLLAR,L=14.1 (Ref # 92027)	92027-1920	1
BULB,12V3W T-7 (Ref # 92069)	92069-1020	2
BAND (Ref # 92072)	92072-1252	4
BAND,BATTERY (Ref # 92072A)	92072-1255	1
DAMPER (Ref # 92075)	92075-1067	2
DAMPER (Ref # 92075A)	92075-1076	1
DAMPER (Ref # 92075B)	92075-1214	1
DAMPER (Ref # 92075C)	92075-1658	8
DAMPER,BATTERY BAND (Ref # 92075D)	92075-1903	4
SEAL,FRONT FENDER,LH (Ref # 92093)	92093-1293	1
SEAL,FRONT FENDER,RH (Ref # 92093A)	92093-1294	1
SEAL,LOWER COVER (Ref # 92093B)	92093-1295	2
COLLAR,L=5 (Ref # 92143)	92143-1087	2
BOLT,BATTERY (Ref # 92150)	92150-1293	2
BOLT,6X25 (Ref # 92150A)	92150-1360	1
DAMPER (Ref # 92160)	92160-1142	2
DAMPER (Ref # 92160A)	92160-1148	2