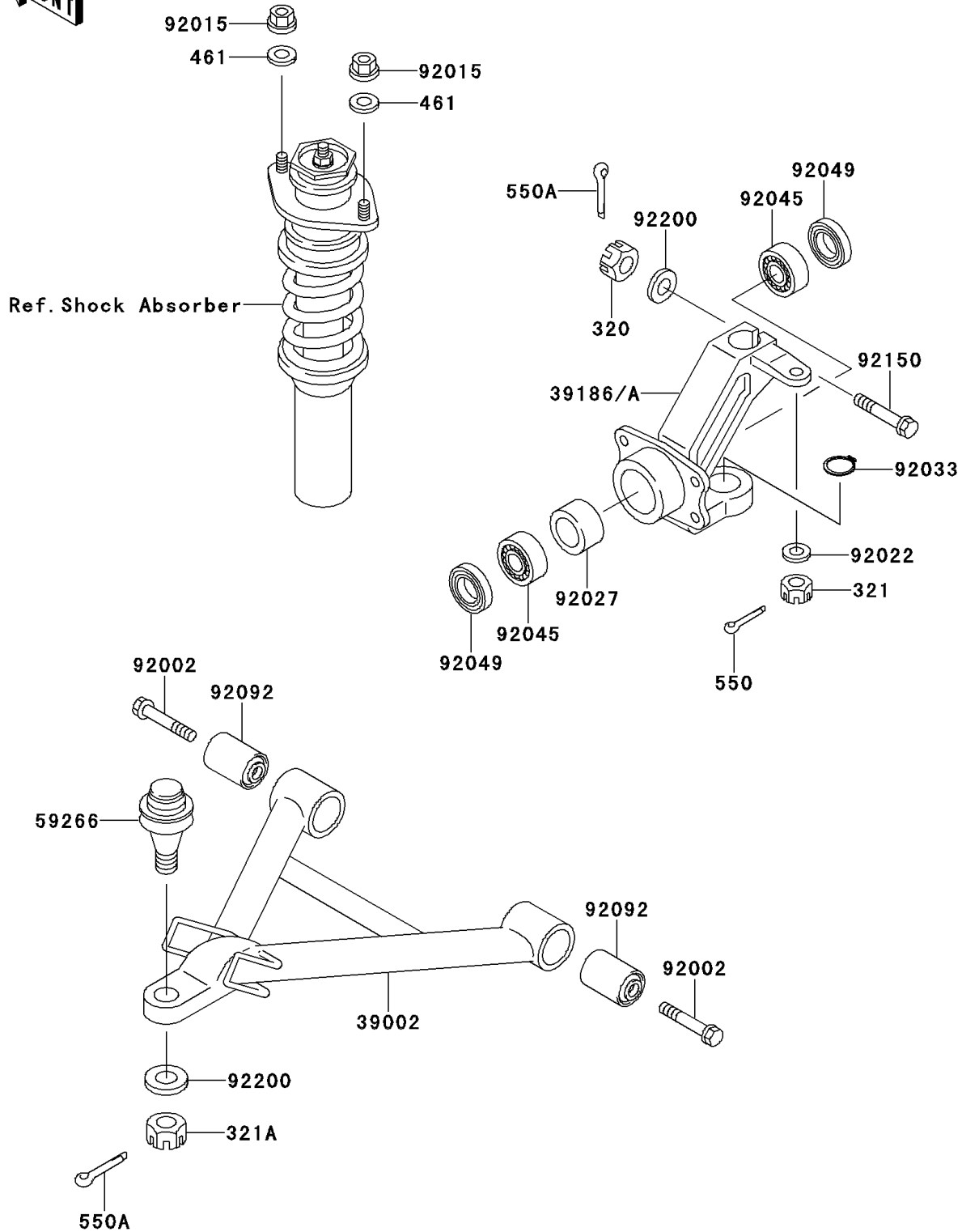


# Mule 2520 Turf PARTS DIAGRAM

Front Suspension

F2152



# Mule 2520 Turf PARTS LIST

## Front Suspension

| ITEM NAME                           | PART NUMBER | QUANTITY |
|-------------------------------------|-------------|----------|
| NUT-CASTLE (Ref # 320)              | 320G1200    | 2        |
| NUT-CASTLE (Ref # 321)              | 321H1000    | 2        |
| NUT-CASTLE,12MM (Ref # 321A)        | 321H1200    | 2        |
| WASHER-SPRING (Ref # 461)           | 461L1000    | 4        |
| PIN-COTTER,2.0X22 (Ref # 550)       | 550D2022    | 2        |
| PIN-COTTER,3.0X25 (Ref # 550A)      | 550D3025    | 4        |
| ARM-COMP-SUSP (Ref # 39002)         | 39002-1053  | 2        |
| KNUCKLE,FR,LH (Ref # 39186)         | 39186-1096  | 1        |
| KNUCKLE,FR,RH (Ref # 39186A)        | 39186-1097  | 1        |
| JOINT-BALL (Ref # 59266)            | 59266-1080  | 2        |
| BOLT,SUSPENSION ROD (Ref # 92002)   | 92002-1661  | 4        |
| NUT,FLANGED,10MM (Ref # 92015)      | 92015-1366  | 4        |
| WASHER,10.5X18X2.5 (Ref # 92022)    | 92022-1876  | 2        |
| COLLAR,L=34.5 (Ref # 92027)         | 92027-1538  | 2        |
| RING-SNAP,C-TYPE,32MM (Ref # 92033) | 92033-1262  | 2        |
| BEARING-BALL (Ref # 92045)          | 92045-3707  | 4        |
| SEAL-OIL,S-35477HS (Ref # 92049)    | 92049-1025  | 4        |
| BUSHING-RUBBER (Ref # 92092)        | 92092-1065  | 4        |
| BOLT,FLANGED,12X72 (Ref # 92150)    | 92150-1356  | 2        |
| WASHER,12.3X23X2.3 (Ref # 92200)    | 92200-1004  | 4        |