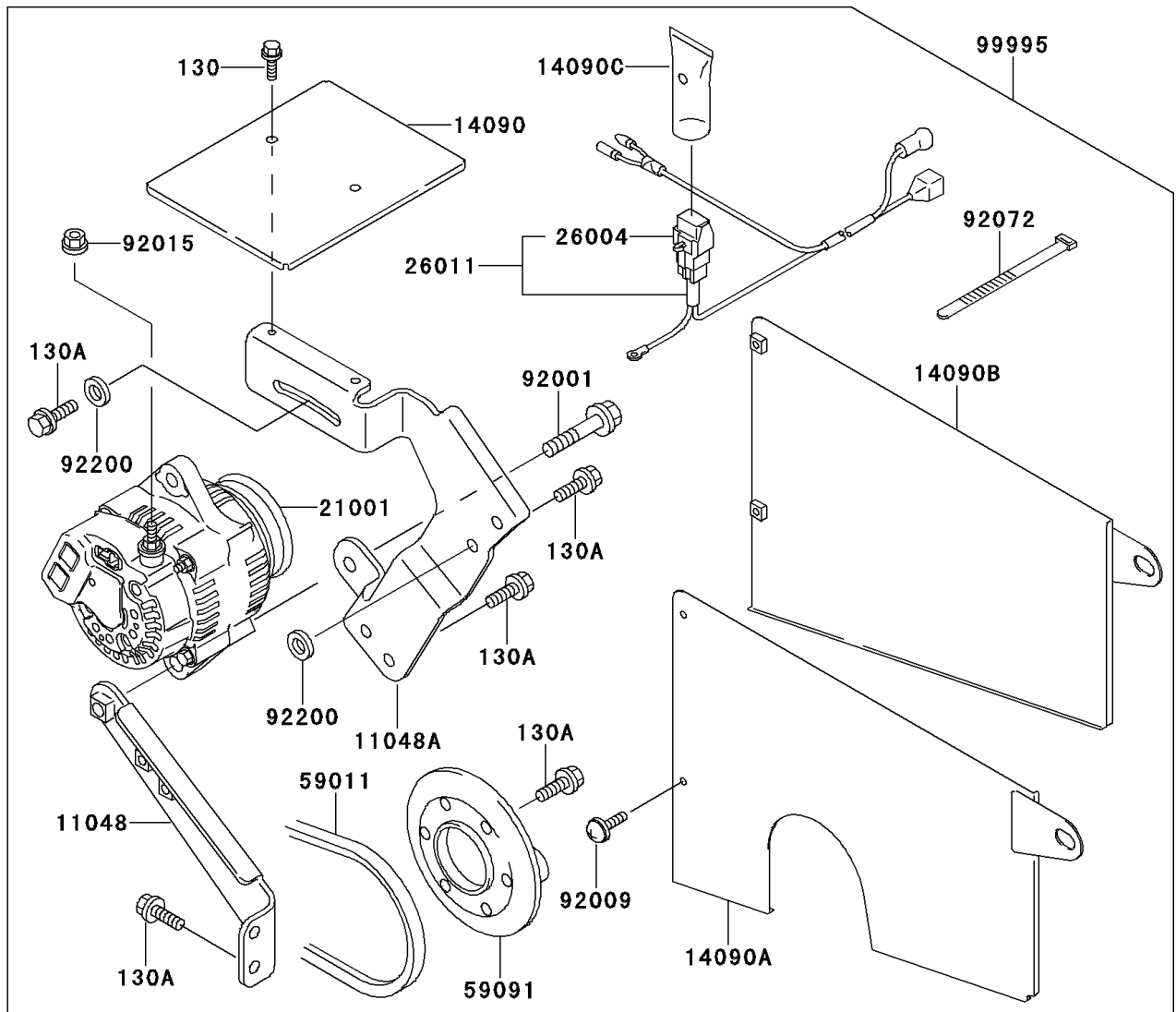
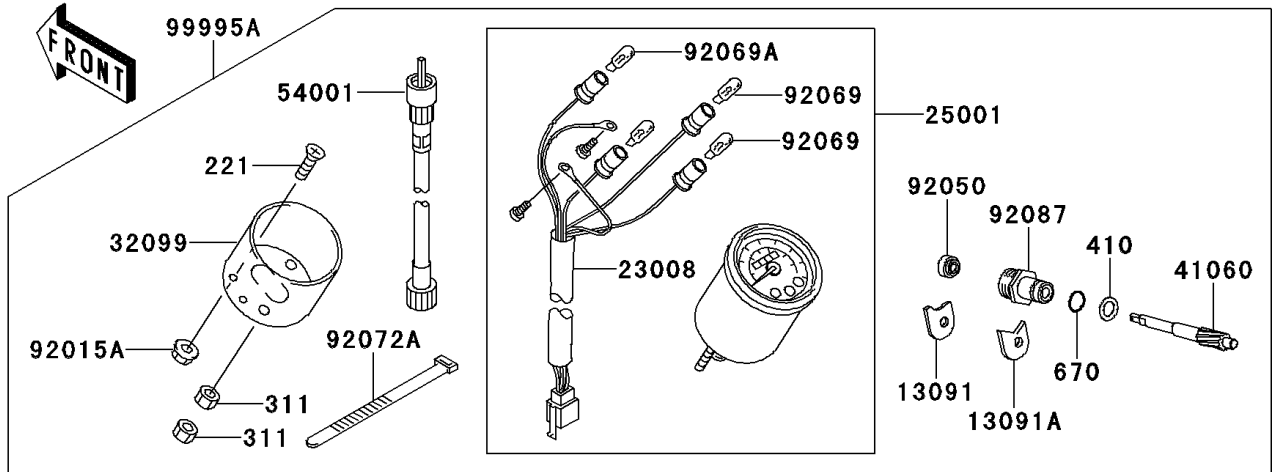


Mule 2520 Turf PARTS DIAGRAM

Optional Parts(Generator&Meter)

F2890



Mule 2520 Turf PARTS LIST

Optional Parts(Generator&Meter)

ITEM NAME	PART NUMBER	QUANTITY
BOLT-FLANGED (Ref # 130)	130C0608	2
BOLT-FLANGED,8X20 (Ref # 130A)	130H0820	10
SCREW-CSK-CROS (Ref # 221)	221C0520	2
NUT-HEX (Ref # 311)	311B0500	4
WASHER-PLAIN-SMALL,6MM (Ref # 410)	410B0600	1
O RING,10MM (Ref # 670)	670D1510	1
BRACKET,ENGINE,LWR (Ref # 11048)	11048-1243	1
BRACKET,GENERATOR (Ref # 11048A)	11048-1244	1
HOLDER,TACHOMETER,T=2.3 (Ref # 13091)	13091-1008	1
HOLDER,TACHOMETER,T=3.2 (Ref # 13091A)	13091-1009	1
COVER,GENERATOR (Ref # 14090)	14090-1347	1
COVER,ENCLOSURE,LH (Ref # 14090A)	14090-1354	1
COVER,ENCLOSURE,RH (Ref # 14090B)	14090-1355	1
COVER,FUSE (Ref # 14090C)	14090-1362	1
GENERATOR (Ref # 21001)	21001-1129	1
SOCKET-ASSY,METER (Ref # 23008)	23008-1355	1
METER-ASSY,MPH (Ref # 25001)	25001-1706	1
FUSE-ASSY,50A (Ref # 26004)	26004-1096	1
WIRE-LEAD,GENERATOR (Ref # 26011)	26011-1586	1
CASE,SPEEDOMETER (Ref # 32099)	32099-1145	1
GEAR-METER SCREW (Ref # 41060)	41060-1148	1
CABLE-SPEEDOMETER (Ref # 54001)	54001-1135	1
BELT (Ref # 59011)	59011-2056	1
PULLEY (Ref # 59091)	59091-2053	1
BOLT,BLACK,10X47 (Ref # 92001)	92001-1522	1
SCREW,6X16 (Ref # 92009)	92009-1621	4
NUT,FLANGED,6MM (Ref # 92015)	92015-1367	1
NUT,LOCK,FLANGED,5MM (Ref # 92015A)	92015-1752	2
SEAL-OIL (Ref # 92050)	92050-075	1

Mule 2520 Turf PARTS LIST

Optional Parts(Generator&Meter)

ITEM NAME	PART NUMBER	QUANTITY
BULB,12V 3.4W (Ref # 92069)	92069-1007	3
BULB,12V 1.7W (Ref # 92069A)	92069-1059	1
BAND,L=123 (Ref # 92072)	92072-030	1
BAND,L=140 (Ref # 92072A)	92072-1293	4
BUSHING-METER GEAR,TACHOMETER (Ref # 92087)	92087-010	1
WASHER,8.5X20X2.3 (Ref # 92200)	92200-1055	2
KIT.,ALTERNATOR (Ref # 99995)	99995-1289	1
KIT.,SPEEDOMETER (Ref # 99995A)	99995-1298	1