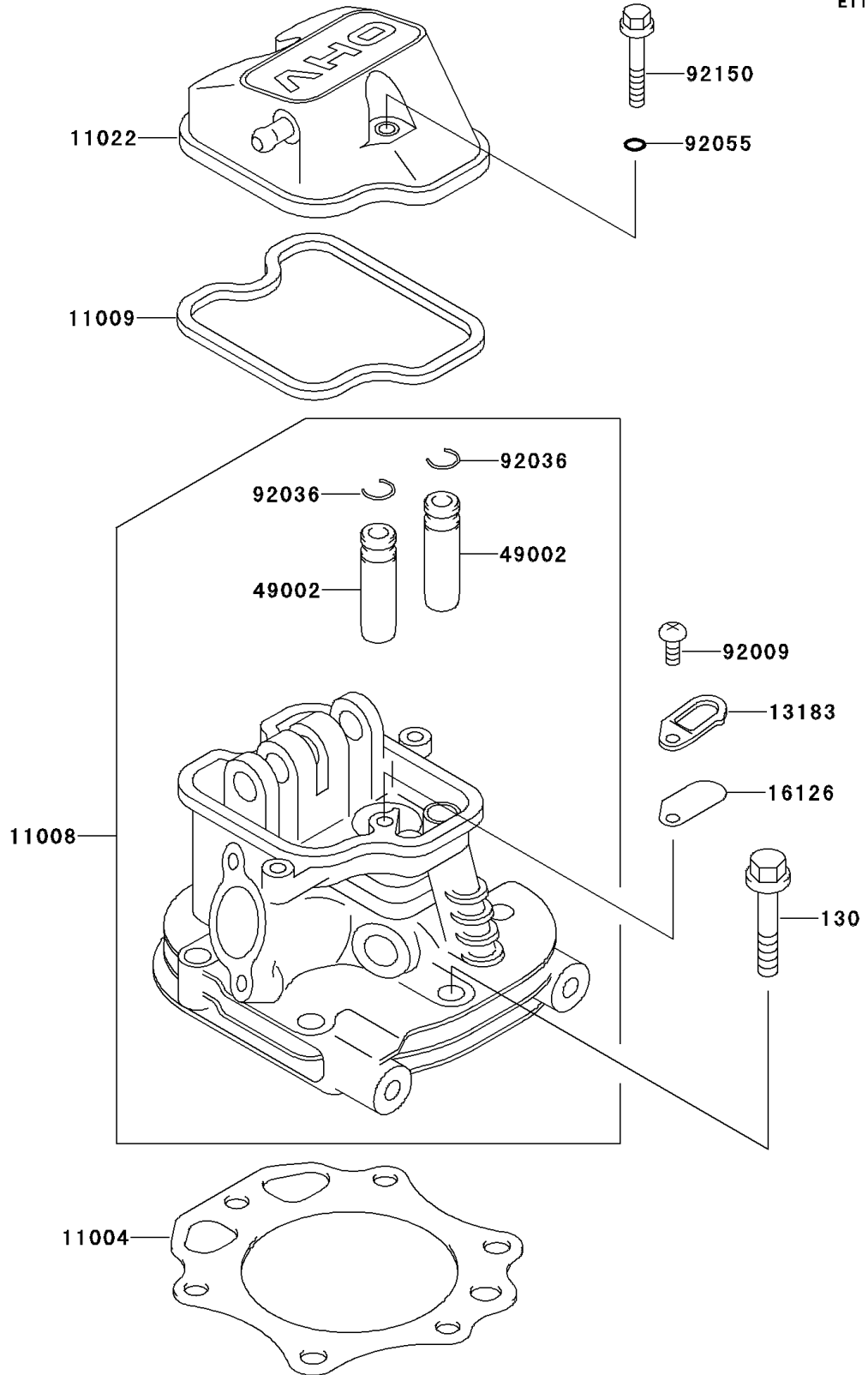


# Mule 500 PARTS DIAGRAM

Cylinder Head(KAF300-B2)

E1111A



## Mule 500 PARTS LIST

Cylinder Head(KAF300-B2)

ITEM NAME	PART NUMBER	QUANTITY
BOLT-FLANGED (Ref # 130)	130T0845	6
GASKET-HEAD (Ref # 11004)	11004-2105	1
HEAD-COMP-CYLINDER (Ref # 11008)	11008-2113	1
GASKET,ROCKER CASE (Ref # 11009)	11009-2829	1
CASE-ROCKER (Ref # 11022)	11022-6001	1
PLATE (Ref # 13183)	13183-2299	1
VALVE (Ref # 16126)	16126-2107	1
GUIDE-VALVE (Ref # 49002)	49002-2101	2
SCREW (Ref # 92009)	92009-2308	1
RING-SNAP (Ref # 92036)	92036-023	2
RING-O,5.5X1.5 (Ref # 92055)	92055-1343	2
BOLT,6X35 (Ref # 92150)	92150-2145	2