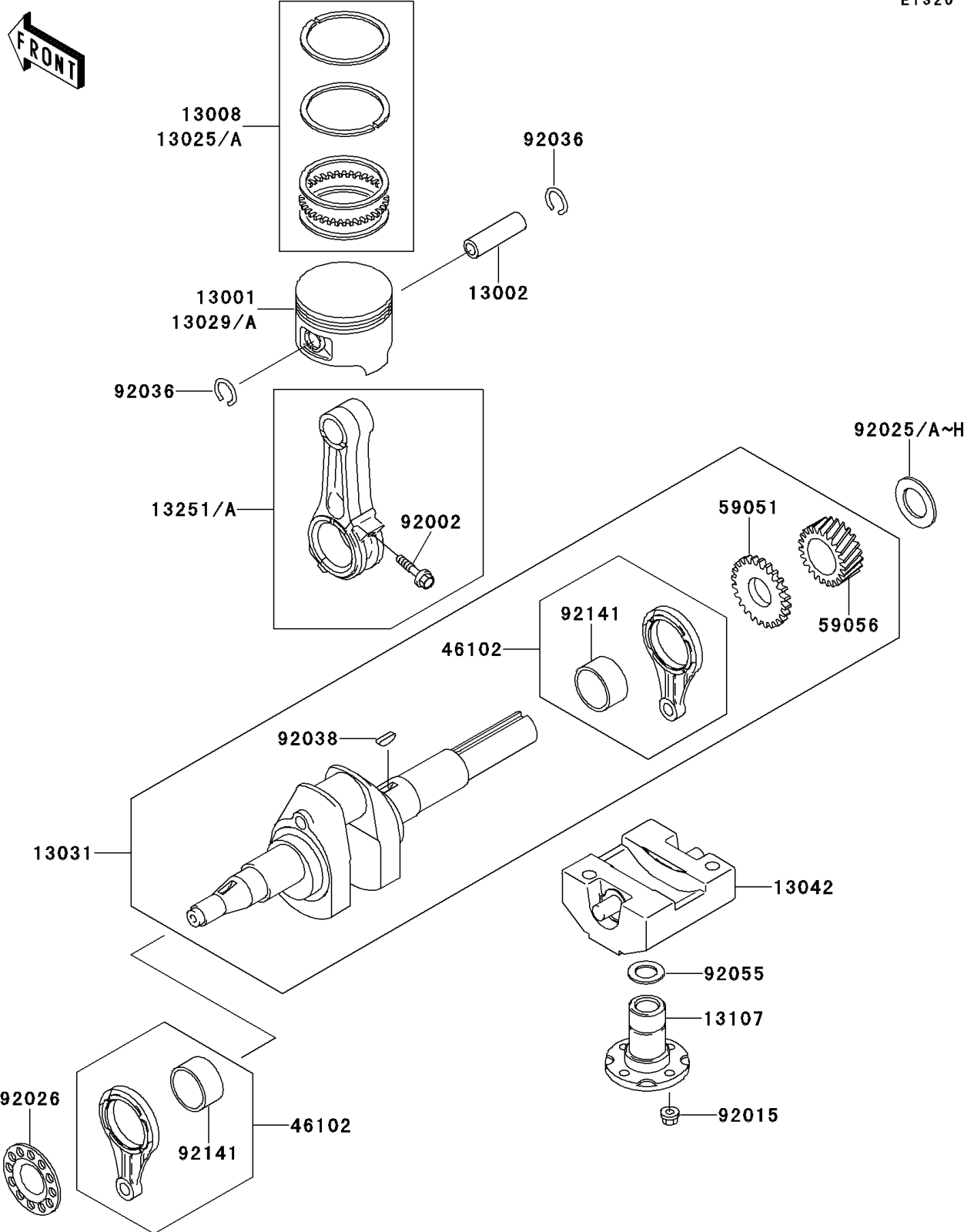


Mule 500 PARTS DIAGRAM

Crankshaft/Piston(s)

E1320



Mule 500 PARTS LIST

Crankshaft/Piston(s)

| ITEM NAME | PART NUMBER | QUANTITY |
|--|-------------|----------|
| PISTON-ENGINE,STD (Ref # 13001) | 13001-2125 | 1 |
| PIN-PISTON (Ref # 13002) | 13002-2069 | 1 |
| RING-SET-PISTON,STD (Ref # 13008) | 13008-6007 | 1 |
| RING-SET-PISTON L,0.25 (Ref # 13025) | 13025-2073 | AR |
| RING-SET-PISTON L,0.50 (Ref # 13025A) | 13025-2074 | AR |
| PISTON-ENGINE L,0.25 (Ref # 13029) | 13029-2100 | AR |
| PISTON-ENGINE L,0.50 (Ref # 13029A) | 13029-2101 | AR |
| CRANKSHAFT-COMP (Ref # 13031) | 13031-2060 | 1 |
| WEIGHT (Ref # 13042) | 13042-6009 | 1 |
| SHAFT (Ref # 13107) | 13107-2088 | 1 |
| ROD-ASSY-CONNECTING,U/S=0.50 (Ref # 13251) | 13251-6034 | AR |
| ROD-ASSY-CONNECTING (Ref # 13251A) | 13251-6056 | 1 |
| ROD (Ref # 46102) | 46102-6004 | 2 |
| GEAR-SPUR (Ref # 59051) | 59051-2097 | 1 |
| GEAR-HELICAL (Ref # 59056) | 59056-2993 | 1 |
| BOLT (Ref # 92002) | 92002-2053 | 2 |
| NUT,FLANGED,6MM (Ref # 92015) | 92015-1193 | 4 |
| SHIM,T=1.13 (Ref # 92025) | 92025-2168 | AR |
| SHIM,T=1.18 (Ref # 92025A) | 92025-2169 | AR |
| SHIM,T=1.23 (Ref # 92025B) | 92025-2170 | AR |
| SHIM,T=1.28 (Ref # 92025C) | 92025-2171 | AR |
| SHIM,T=1.33 (Ref # 92025D) | 92025-2172 | AR |
| SHIM,T=1.38 (Ref # 92025E) | 92025-2173 | AR |
| SHIM,T=1.43 (Ref # 92025F) | 92025-2174 | AR |
| SHIM,T=1.48 (Ref # 92025G) | 92025-2175 | AR |
| SHIM,T=1.53 (Ref # 92025H) | 92025-2207 | AR |
| SPACER (Ref # 92026) | 92026-2052 | 1 |
| RING-SNAP,PISTON PIN (Ref # 92036) | 92036-008 | 2 |
| KEY,WOODRUFF (Ref # 92038) | 92038-2094 | 1 |

Mule 500 PARTS LIST

Crankshaft/Piston(s)

| ITEM NAME | PART NUMBER | QUANTITY |
|-----------------------------|-------------|----------|
| RING-O (Ref # 92055) | 92055-2072 | 1 |
| BEARING-PLANE (Ref # 92141) | 92141-2090 | 2 |