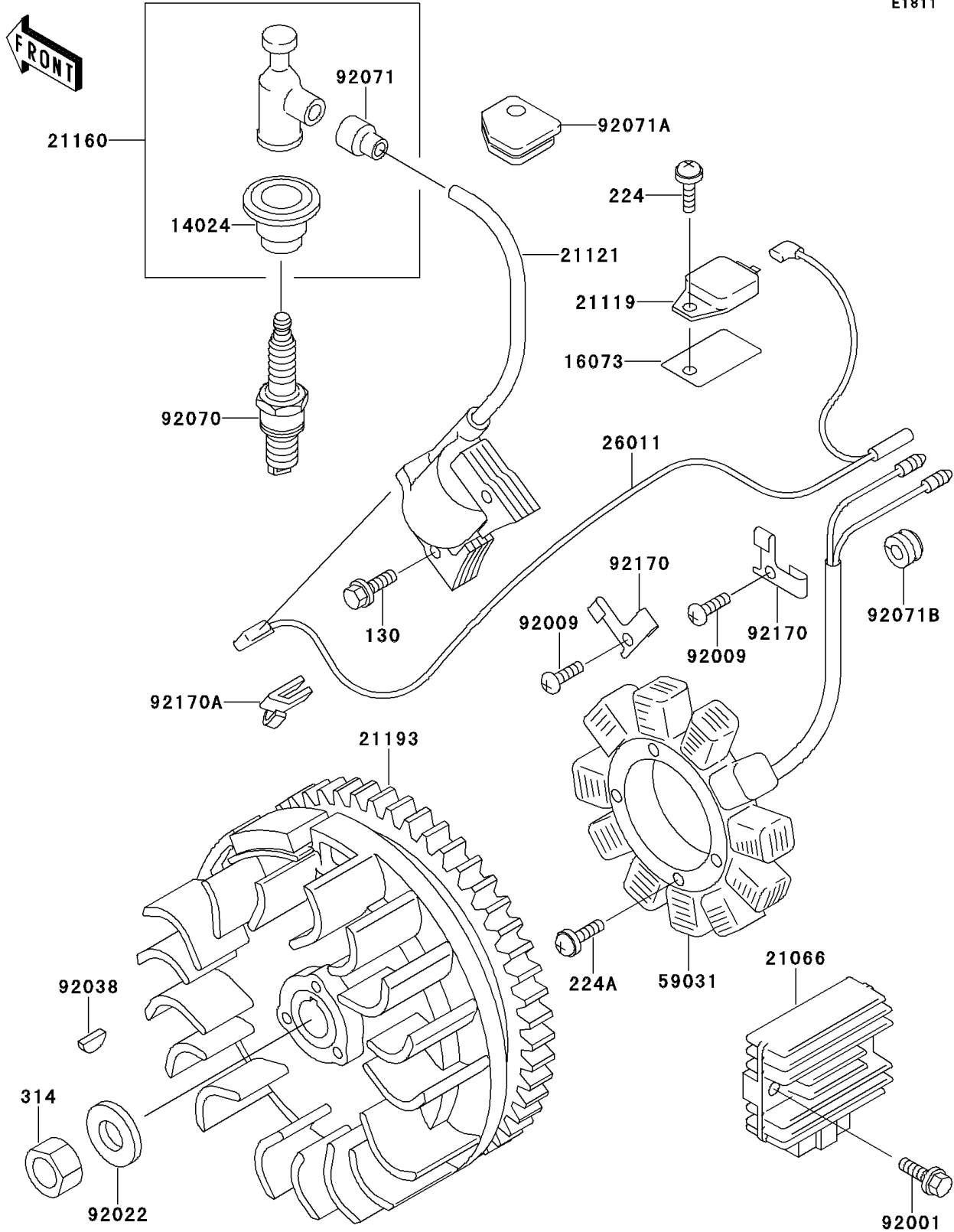


Mule 500 PARTS DIAGRAM

Generator/Ignition Coil

E1811



Mule 500 PARTS LIST

Generator/Ignition Coil

ITEM NAME	PART NUMBER	QUANTITY
BOLT-FLANGED (Ref # 130)	130B0525	2
SCREW-PAN-WP-CROS (Ref # 224)	224B0508	1
SCREW-PAN-WP-CROS (Ref # 224A)	224B0620	4
NUT-HEX-FINE (Ref # 314)	314G1600	1
COVER (Ref # 14024)	14024-2234	1
INSULATOR (Ref # 16073)	16073-2134	1
REGULATOR-VOLTAGE (Ref # 21066)	21066-2004	1
IGNITER (Ref # 21119)	21119-2146	1
COIL-IGNITION (Ref # 21121)	21121-2067	1
CAP-ASSY-PLUG (Ref # 21160)	21160-2051	1
FLYWHEEL-ASSY (Ref # 21193)	21193-2105	1
WIRE-LEAD (Ref # 26011)	26011-2228	1
COIL-CHARGING (Ref # 59031)	59031-2097	1
BOLT,FLANGED,6X22 (Ref # 92001)	92001-1352	2
SCREW (Ref # 92009)	92009-2308	2
WASHER (Ref # 92022)	92022-2205	1
KEY,WOODRUFF (Ref # 92038)	92038-2094	1
PLUG-SPARK,BPR5ES(NGK) (Ref # 92070)	92070-2077	1
GROMMET (Ref # 92071)	92071-2008	1
GROMMET (Ref # 92071A)	92071-2112	1
GROMMET (Ref # 92071B)	92071-2125	1
CLAMP (Ref # 92170)	92170-2016	2
CLAMP (Ref # 92170A)	92170-2017	1