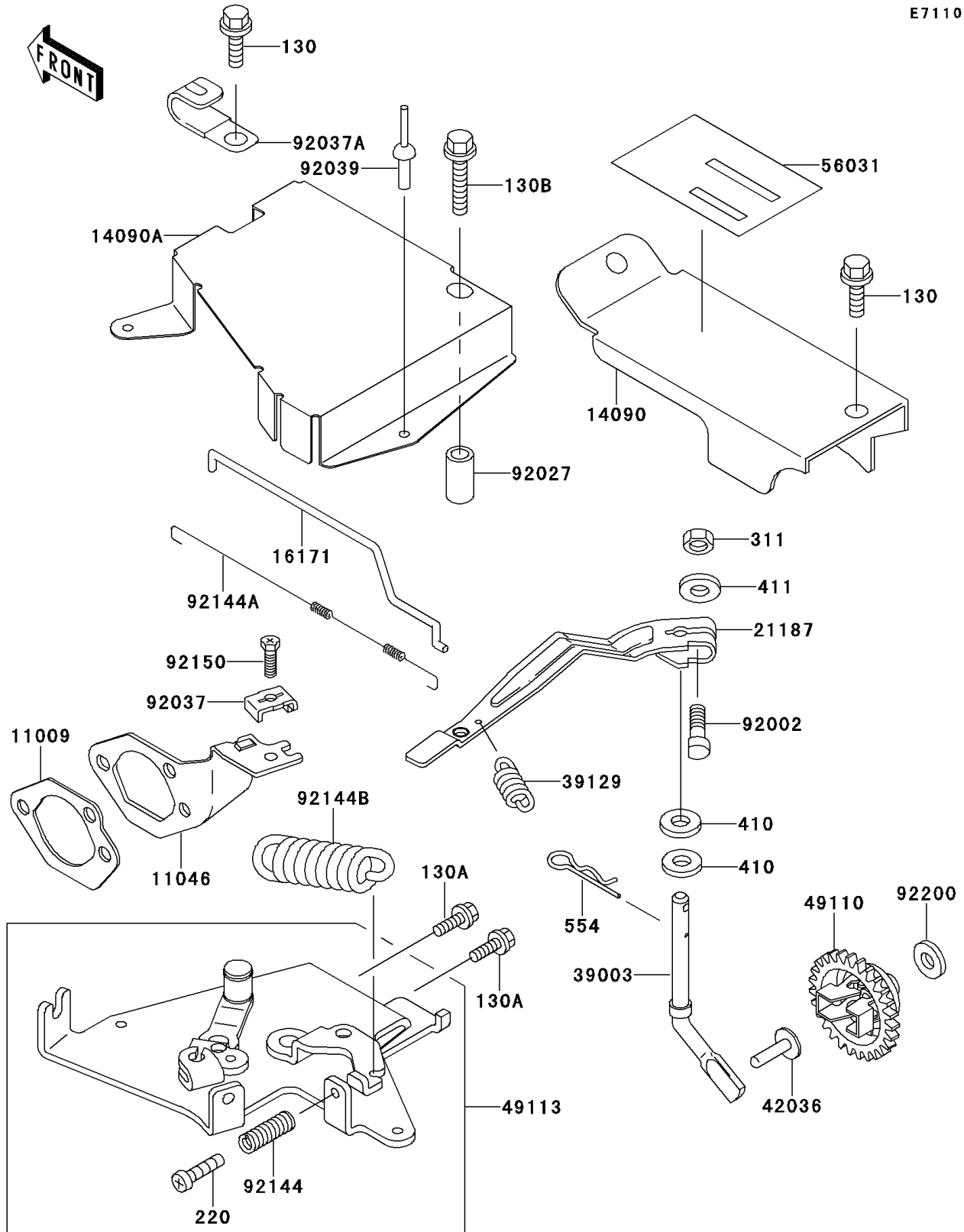


# Mule 500 PARTS DIAGRAM

Control

E7110



# Mule 500 PARTS LIST

## Control

ITEM NAME	PART NUMBER	QUANTITY
BOLT-FLANGED,8X12 (Ref # 130)	130B0812	3
BOLT-FLANGED,6X12 (Ref # 130A)	130G0612	2
BOLT-FLANGED,8X30 (Ref # 130B)	130J0830	1
SCREW-PAN-CROS (Ref # 220)	220B0522	2
NUT-HEX,6MM (Ref # 311)	311B0600	1
WASHER-PLAIN-SMALL,6MM (Ref # 410)	410B0600	2
WASHER-PLAIN,6MM (Ref # 411)	411B0600	1
PIN-SNAP (Ref # 554)	554A0600	1
GASKET (Ref # 11009)	11009-2925	1
BRACKET (Ref # 11046)	11046-2102	1
COVER (Ref # 14090)	14090-1141	1
COVER (Ref # 14090A)	14090-1361	1
LINK,THROTTLE (Ref # 16171)	16171-2061	1
ARM-ASSY (Ref # 21187)	21187-2066	1
ARM-PIVOT (Ref # 39003)	39003-2067	1
SPRING-GOVERNOR (Ref # 39129)	39129-2020	1
SLEEVE (Ref # 42036)	42036-2060	1
GOVERNOR-ASSY (Ref # 49110)	49110-2069	1
PANEL-COMP-CONTROL (Ref # 49113)	49113-2127	1
LABEL-MANUAL,OIL CAPACITY (Ref # 56031)	56031-1790	1
BOLT,6X28 (Ref # 92002)	92002-2269	1
COLLAR,9X13X17.2 (Ref # 92027)	92027-1064	1
CLAMP (Ref # 92037)	92037-2020	1
CLAMP (Ref # 92037A)	92037-2098	1
RIVET,BLIND,4.0X9.2 (Ref # 92039)	92039-1163	2
SPRING (Ref # 92144)	92144-2266	2
SPRING (Ref # 92144A)	92144-2340	1
SPRING (Ref # 92144B)	92144-2345	1
BOLT (Ref # 92150)	92150-2182	1

# Mule 500 PARTS LIST

Control

ITEM NAME	PART NUMBER	QUANTITY
WASHER,6.2X20X0.5 (Ref # 92200)	92200-2036	1