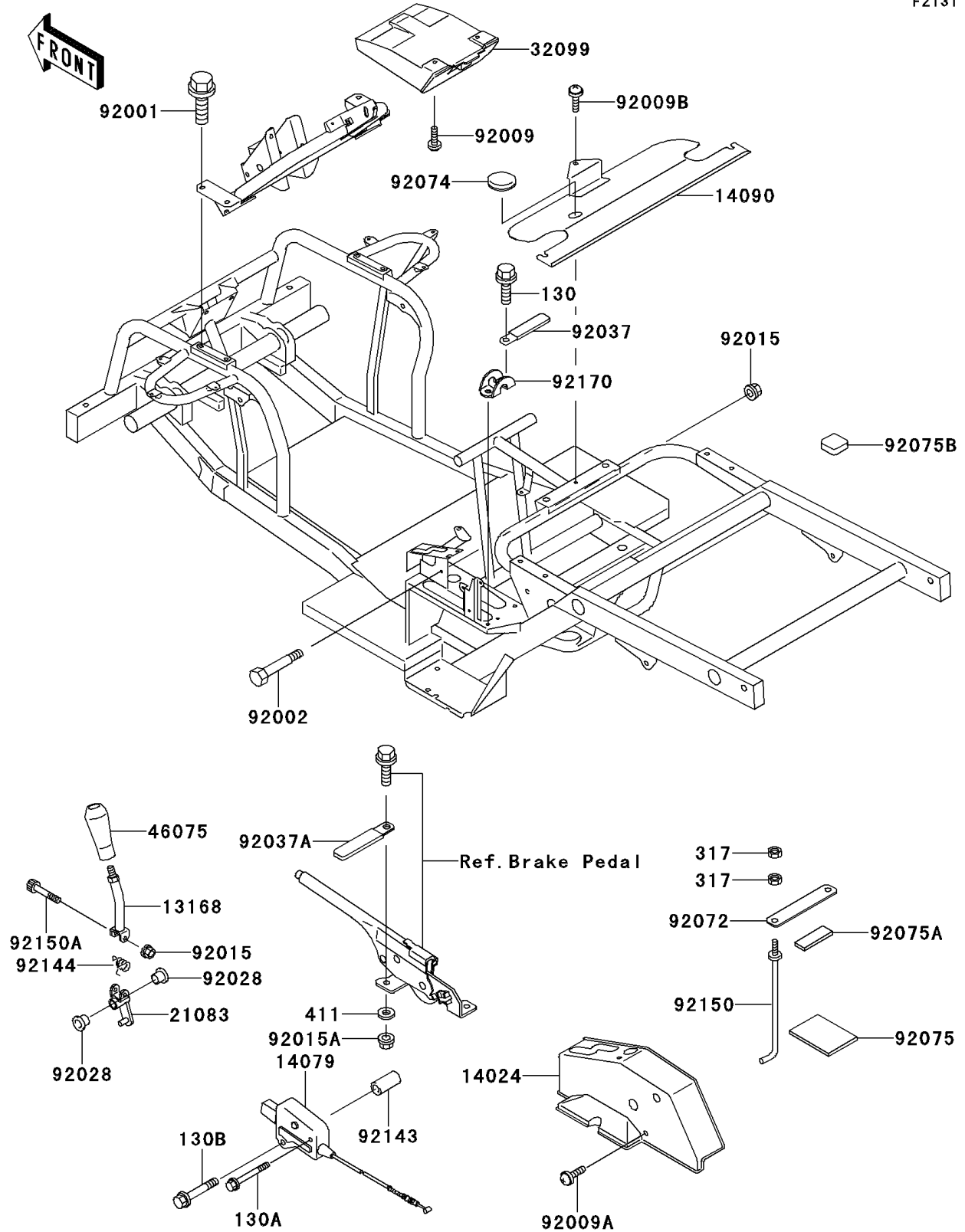


# Mule 500 PARTS DIAGRAM

## Frame Fittings

F2131



# Mule 500 PARTS LIST

## Frame Fittings

ITEM NAME	PART NUMBER	QUANTITY
BOLT-FLANGED,6X14,BLACK (Ref # 130)	130J0614	2
BOLT-FLANGED,6X50,BLACK (Ref # 130A)	130J0650	1
BOLT-FLANGED,8X50 (Ref # 130B)	130J0850	1
NUT-HEX-SMALL,8MM (Ref # 317)	317H0800	4
WASHER-PLAIN,8MM (Ref # 411)	411B0800	1
LEVER,SHIFT (Ref # 13168)	13168-1534	1
COVER,SHIFT&BATTERY (Ref # 14024)	14024-1985	1
HOLDER-ASSY,DIFF LOCK (Ref # 14079)	14079-1100	1
COVER,SEAT (Ref # 14090)	14090-1120	1
ARM,SHIFT LEVER (Ref # 21083)	21083-1091	1
CASE,TOOL (Ref # 32099)	32099-1039	1
GRIP,SHIFT LEVER (Ref # 46075)	46075-1075	1
BOLT,FLANGED,8X18 (Ref # 92001)	92001-4030	4
BOLT (Ref # 92002)	92002-1984	1
SCREW (Ref # 92009)	92009-1166	2
SCREW,6X14 (Ref # 92009A)	92009-1288	3
SCREW,6X10 (Ref # 92009B)	92009-1402	1
NUT,LOCK,FLANGED,6MM (Ref # 92015)	92015-1675	2
NUT,FLANGED,LOCK,8MM (Ref # 92015A)	92015-1696	1
BUSHING (Ref # 92028)	92028-1507	2
CLAMP,WIRING HARNESS (Ref # 92037)	92037-1069	1
CLAMP (Ref # 92037A)	92037-113	1
BAND,BATTERY (Ref # 92072)	92072-1233	1
PLUG,34X1 (Ref # 92074)	92074-004	1
DAMPER (Ref # 92075)	92075-1076	1
DAMPER (Ref # 92075A)	92075-1214	1
DAMPER (Ref # 92075B)	92075-1882	6
COLLAR,11.3X15.9X36 (Ref # 92143)	92143-1162	1
SPRING (Ref # 92144)	92144-1175	1

# Mule 500 PARTS LIST

## Frame Fittings

ITEM NAME	PART NUMBER	QUANTITY
BOLT,BATTERY (Ref # 92150)	92150-1293	2
BOLT,SOCKET,6X35 (Ref # 92150A)	92150-1393	1
CLAMP,SHIFT CABLE (Ref # 92170)	92170-1210	1