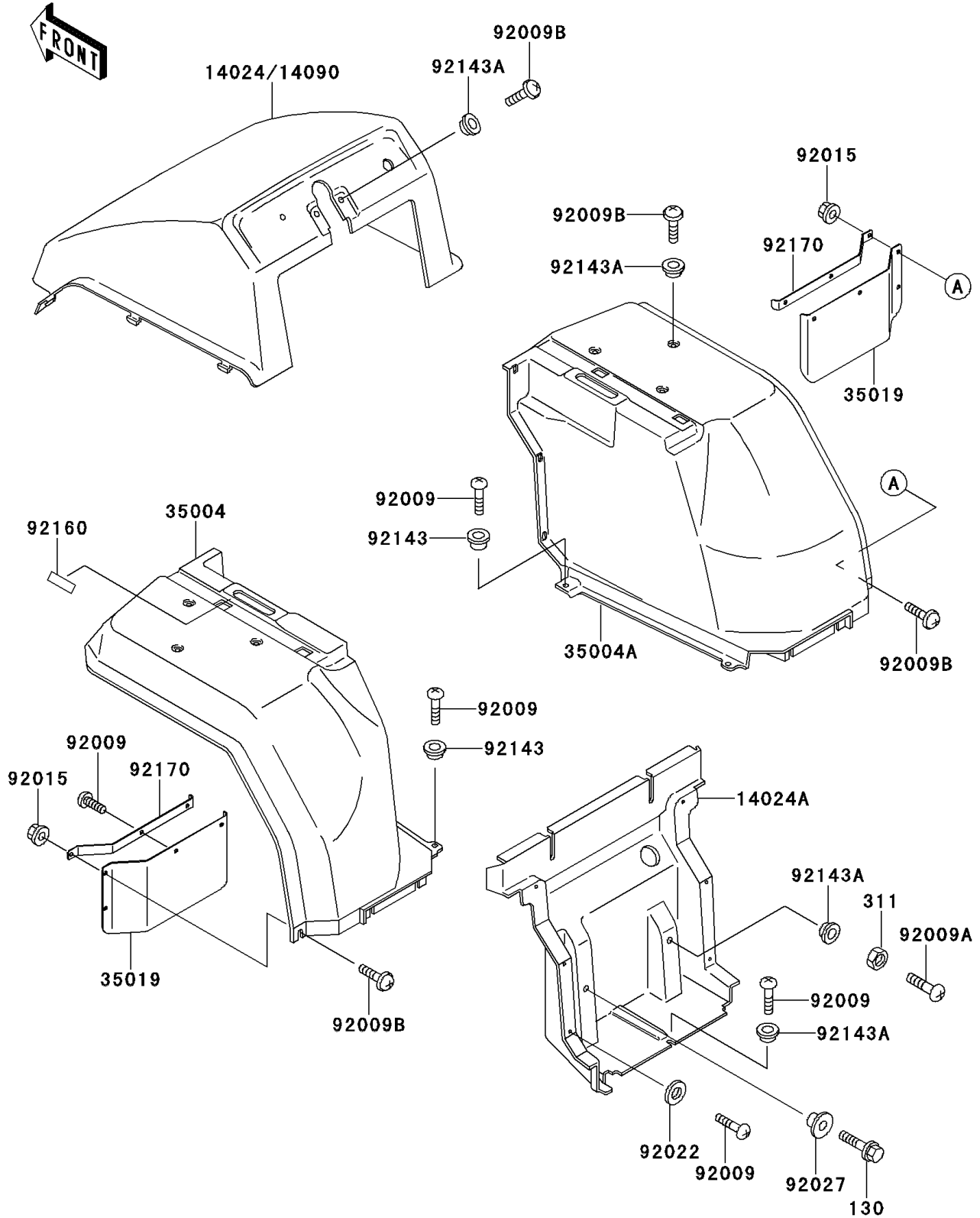


# Mule 500 PARTS DIAGRAM

Front Fender(s)

F2171



# Mule 500 PARTS LIST

## Front Fender(s)

ITEM NAME	PART NUMBER	QUANTITY
BOLT-FLANGED,6X25 (Ref # 130)	130J0625	1
NUT-HEX,6MM (Ref # 311)	311B0600	1
COVER,UPP,F.RED (Ref # 14024)	14024-1983-6L	1
COVER,FR (Ref # 14024A)	14024-1984	1
FENDER-FRONT,LH,F.RED (Ref # 35004)	35004-1276-6L	1
FENDER-FRONT,RH,F.RED (Ref # 35004A)	35004-1277-6L	1
FLAP,FRONT FENDER (Ref # 35019)	35019-1271	2
SCREW (Ref # 92009)	92009-1166	15
SCREW,6X35 (Ref # 92009A)	92009-1589	1
SCREW,6X16 (Ref # 92009B)	92009-1621	10
NUT,LOCK,FLANGED,6MM (Ref # 92015)	92015-1675	2
WASHER,6.5X20X1.6,BLACK (Ref # 92022)	92022-1346	6
COLLAR,L=13.1,BLACK (Ref # 92027)	92027-1450	1
COLLAR (Ref # 92143)	92143-1057	2
COLLAR,L=5 (Ref # 92143A)	92143-1087	12
DAMPER (Ref # 92160)	92160-1348	2
CLAMP,FLAP (Ref # 92170)	92170-1371	2