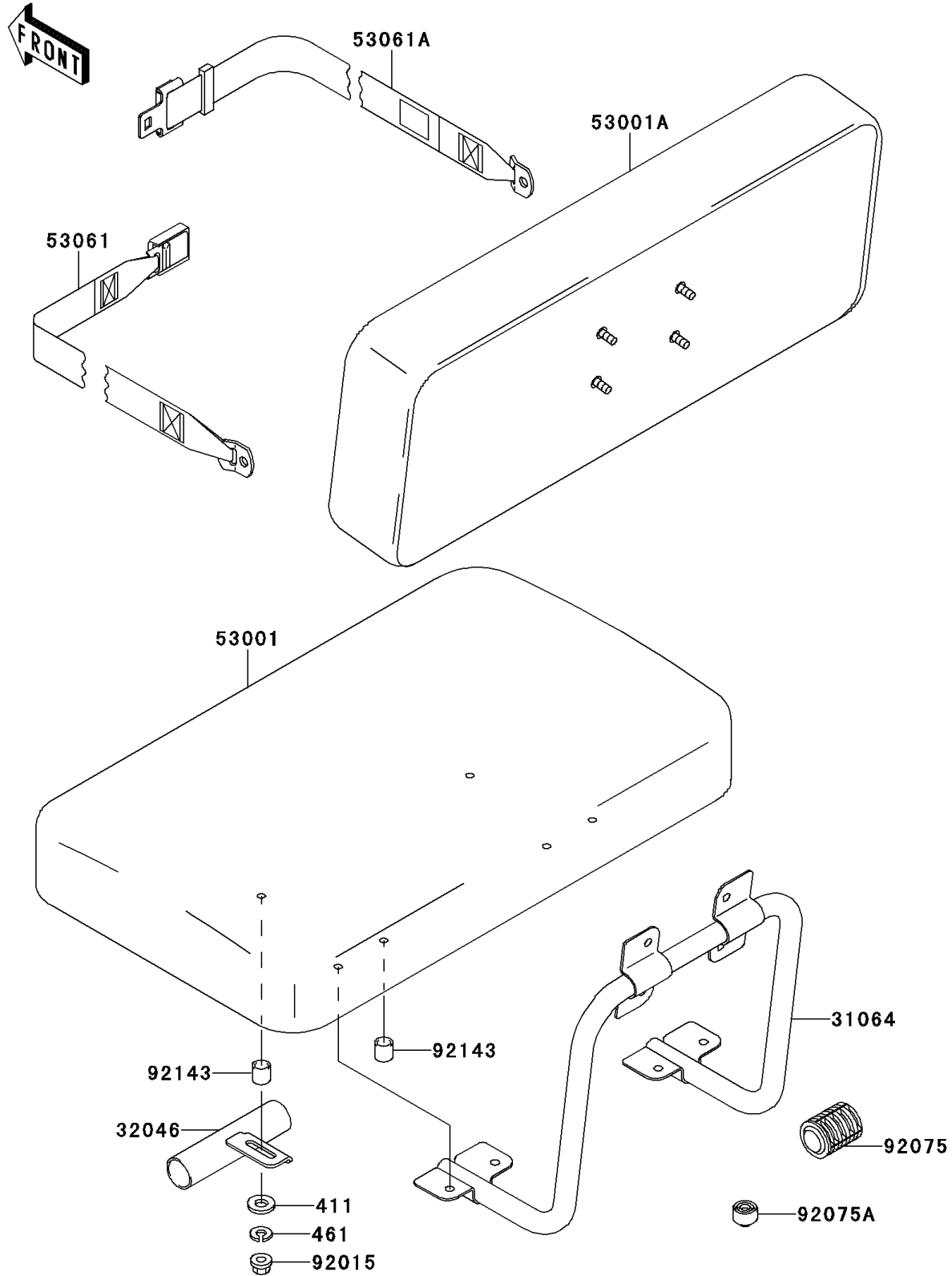


Mule 500 PARTS DIAGRAM

Seat

F2510



Mule 500 PARTS LIST

Seat

| ITEM NAME | PART NUMBER | QUANTITY |
|--------------------------------------|---------------|----------|
| WASHER-PLAIN,8MM (Ref # 411) | 411B0800 | 10 |
| WASHER-SPRING,8MM (Ref # 461) | 461F0800 | 10 |
| PIPE-COMP,SEAT (Ref # 31064) | 31064-1150 | 1 |
| BRACKET-SEAT (Ref # 32046) | 32046-1376 | 2 |
| SEAT-ASSY,CUSHION,GRAY (Ref # 53001) | 53001-1717-PA | 1 |
| SEAT-ASSY,BACK,GRAY (Ref # 53001A) | 53001-1718-PA | 1 |
| BELT-SEAT,BUCKLE (Ref # 53061) | 53061-1010 | 1 |
| BELT-SEAT,LATCH PLATE (Ref # 53061A) | 53061-1011 | 1 |
| NUT,FLANGED,LOCK,8MM (Ref # 92015) | 92015-1696 | 10 |
| DAMPER,FUEL TANK (Ref # 92075) | 92075-084 | 2 |
| DAMPER (Ref # 92075A) | 92075-1045 | 2 |
| COLLAR,8.8X12X11.5 (Ref # 92143) | 92143-1340 | 10 |