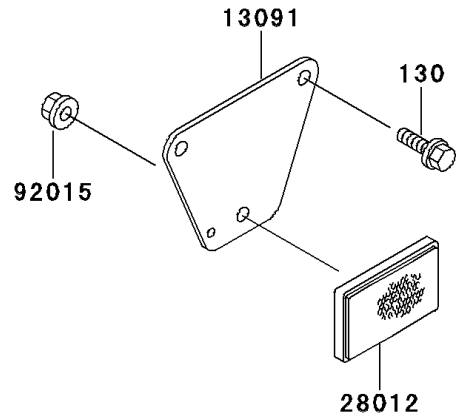
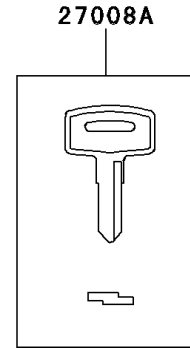
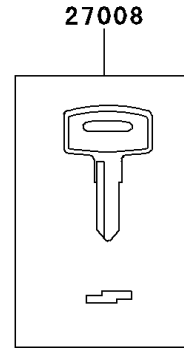
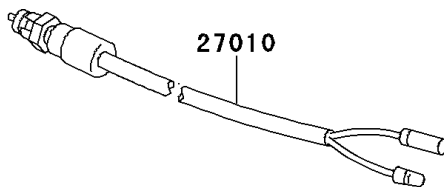
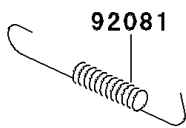
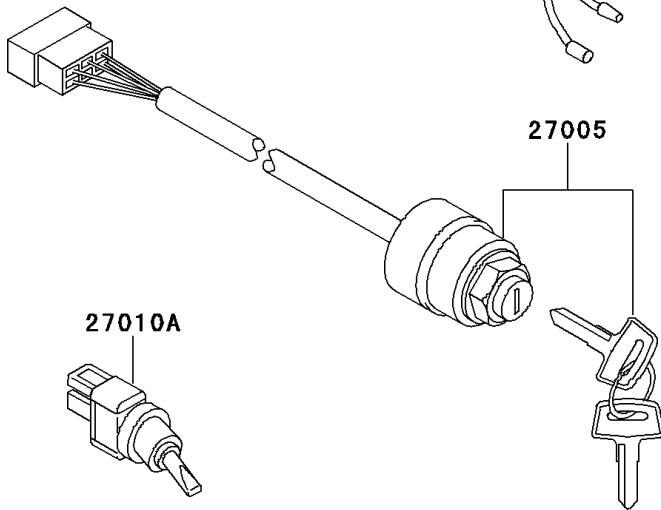
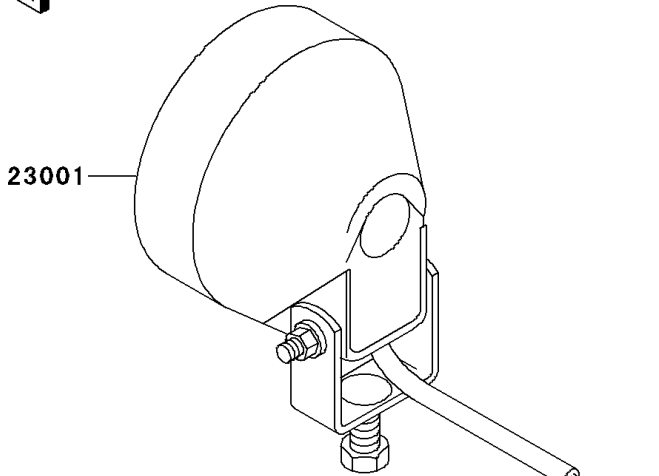


# Mule 500 PARTS DIAGRAM

Headlight(s)/Ignition Switch

F2711



## Mule 500 PARTS LIST

### Headlight(s)/Ignition Switch

ITEM NAME	PART NUMBER	QUANTITY
BOLT-FLANGED,6X16,BLACK (Ref # 130)	130J0616	2
HOLDER,REFLECTOR (Ref # 13091)	13091-1745	1
LAMP-ASSY-HEAD (Ref # 23001)	23001-1120	2
SWITCH-ASSY-IGNITION (Ref # 27005)	27005-1146	1
KEY-LOCK,BLANK (Ref # 27008)	27008-1153	1
KEY-LOCK,BLANK (Ref # 27008A)	27008-1157	1
SWITCH,BRAKE LAMP (Ref # 27010)	27010-1181	1
SWITCH,HEAD LAMP (Ref # 27010A)	27010-1265	1
REFLECTOR-REFLEX,RR (Ref # 28012)	28012-1054	1
NUT,FLANGED,5MM (Ref # 92015)	92015-1259	1
SPRING,BRAKE SWITCH (Ref # 92081)	92081-1565	1