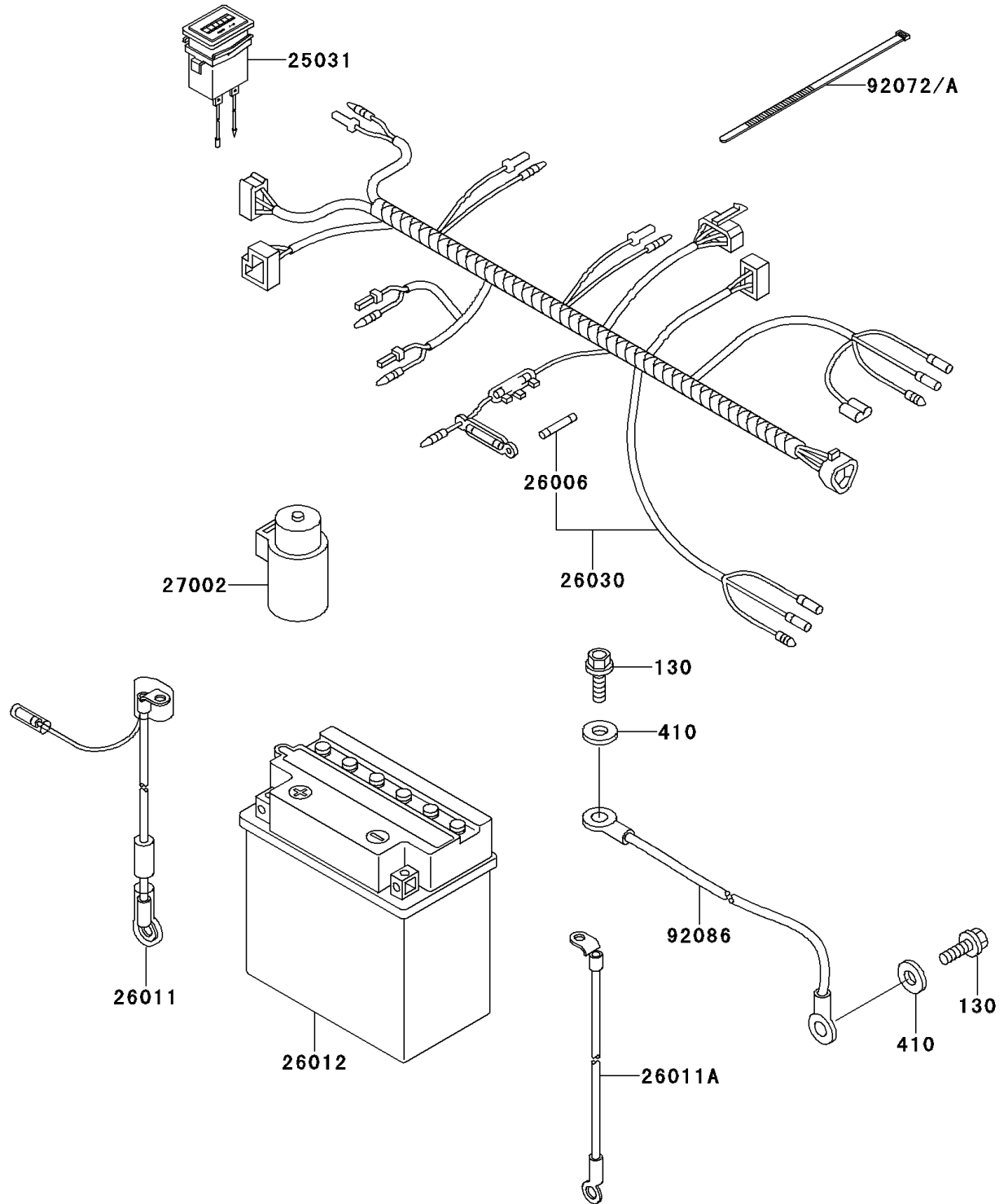


Mule 500 PARTS DIAGRAM

Chassis Electrical Equipment

F2760



Mule 500 PARTS LIST

Chassis Electrical Equipment

ITEM NAME	PART NUMBER	QUANTITY
BOLT-FLANGED,8X20 (Ref # 130)	130J0820	2
WASHER-PLAIN-SMALL,8MM (Ref # 410)	410B0800	2
METER-ASSY,HOUR (Ref # 25031)	25031-1013	1
FUSE,20A,L=32 (Ref # 26006)	26006-1064	2
WIRE-LEAD,BATTERY(+) (Ref # 26011)	26011-1486	1
WIRE-LEAD,BATTERY(-) (Ref # 26011A)	26011-1494	1
BATTERY,12V 14AH,YB14A-A2 (Ref # 26012)	26012-1269	1
HARNESS,MAIN (Ref # 26030)	26030-1068	1
RELAY-ASSY (Ref # 27002)	27002-1051	1
BAND,L=149 (Ref # 92072)	92072-031	1
BAND,L=188 (Ref # 92072A)	92072-1239	4
WIRE (Ref # 92086)	92086-1054	1