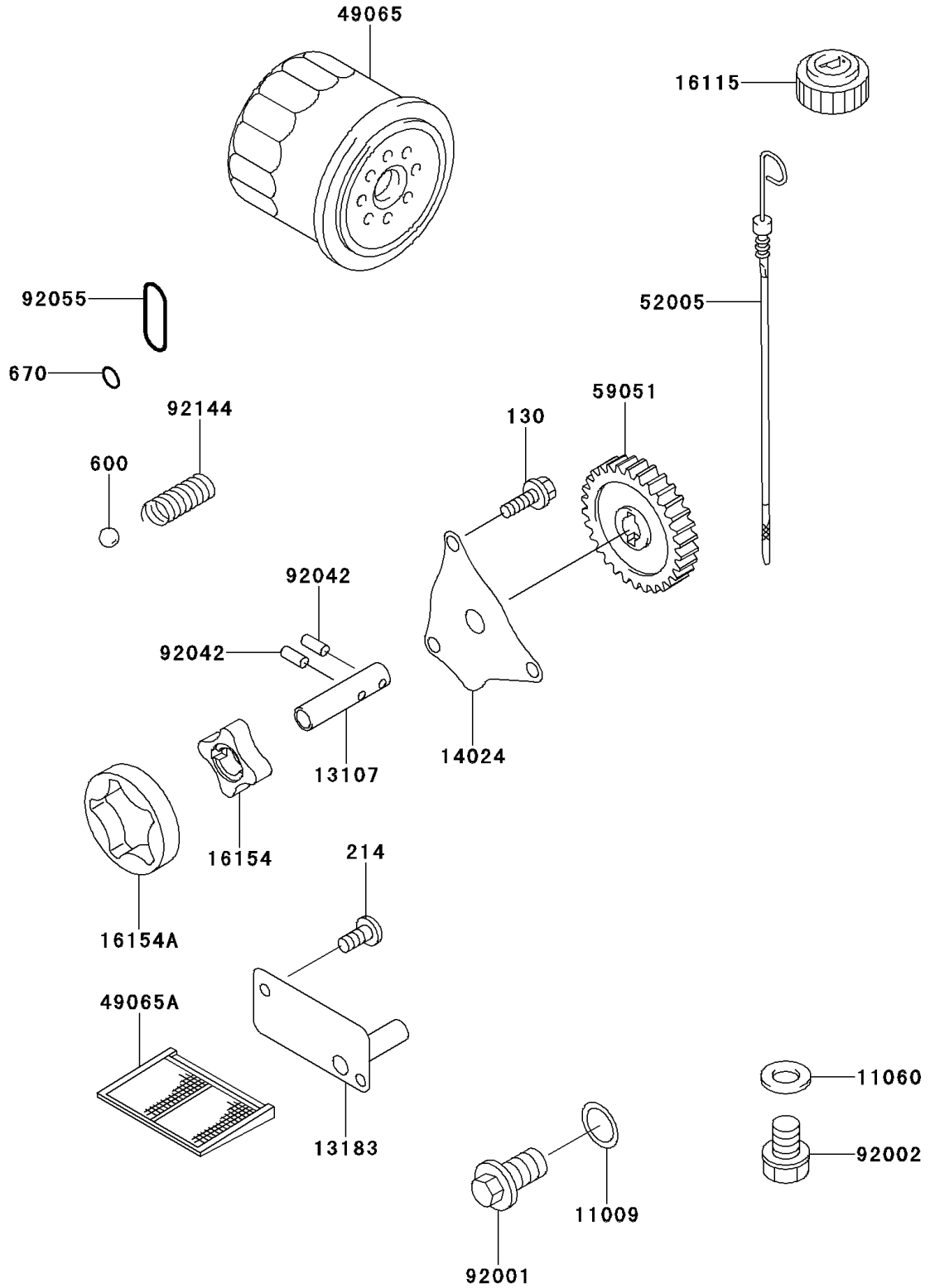


# Mule 2500 PARTS DIAGRAM

Oil Pump/Oil Filter

E1710



# Mule 2500 PARTS LIST

## Oil Pump/Oil Filter

| ITEM NAME                          | PART NUMBER | QUANTITY |
|------------------------------------|-------------|----------|
| BOLT-FLANGED (Ref # 130)           | 130B0614    | 3        |
| SCREW-PAN+- (Ref # 214)            | 214B0512    | 2        |
| BALL-STEEL,13/32" (Ref # 600)      | 600A1300    | 1        |
| O RING,11MM (Ref # 670)            | 670B2011    | 1        |
| GASKET,16.2X22X1 (Ref # 11009)     | 11009-1467  | 1        |
| GASKET,ROCKER SHAFT (Ref # 11060)  | 11060-1287  | 1        |
| SHAFT (Ref # 13107)                | 13107-2099  | 1        |
| PLATE (Ref # 13183)                | 13183-2419  | 1        |
| COVER (Ref # 14024)                | 14024-2113  | 1        |
| CAP-OIL FILLER (Ref # 16115)       | 16115-2090  | 1        |
| ROTOR-PUMP,IN (Ref # 16154)        | 16154-2053  | 1        |
| ROTOR-PUMP,OUT (Ref # 16154A)      | 16154-2054  | 1        |
| FILTER-OIL (Ref # 49065)           | 49065-2071  | 1        |
| FILTER-OIL (Ref # 49065A)          | 49065-2072  | 1        |
| GAUGE (Ref # 52005)                | 52005-2122  | 1        |
| GEAR-SPUR (Ref # 59051)            | 59051-2114  | 1        |
| BOLT,FLANGED,16X11.5 (Ref # 92001) | 92001-1114  | 1        |
| BOLT,14X10 (Ref # 92002)           | 92002-1513  | 1        |
| PIN,DOWEL,4X15.8 (Ref # 92042)     | 92042-014   | 2        |
| RING-O (Ref # 92055)               | 92055-2086  | 1        |
| SPRING (Ref # 92144)               | 92144-2053  | 1        |