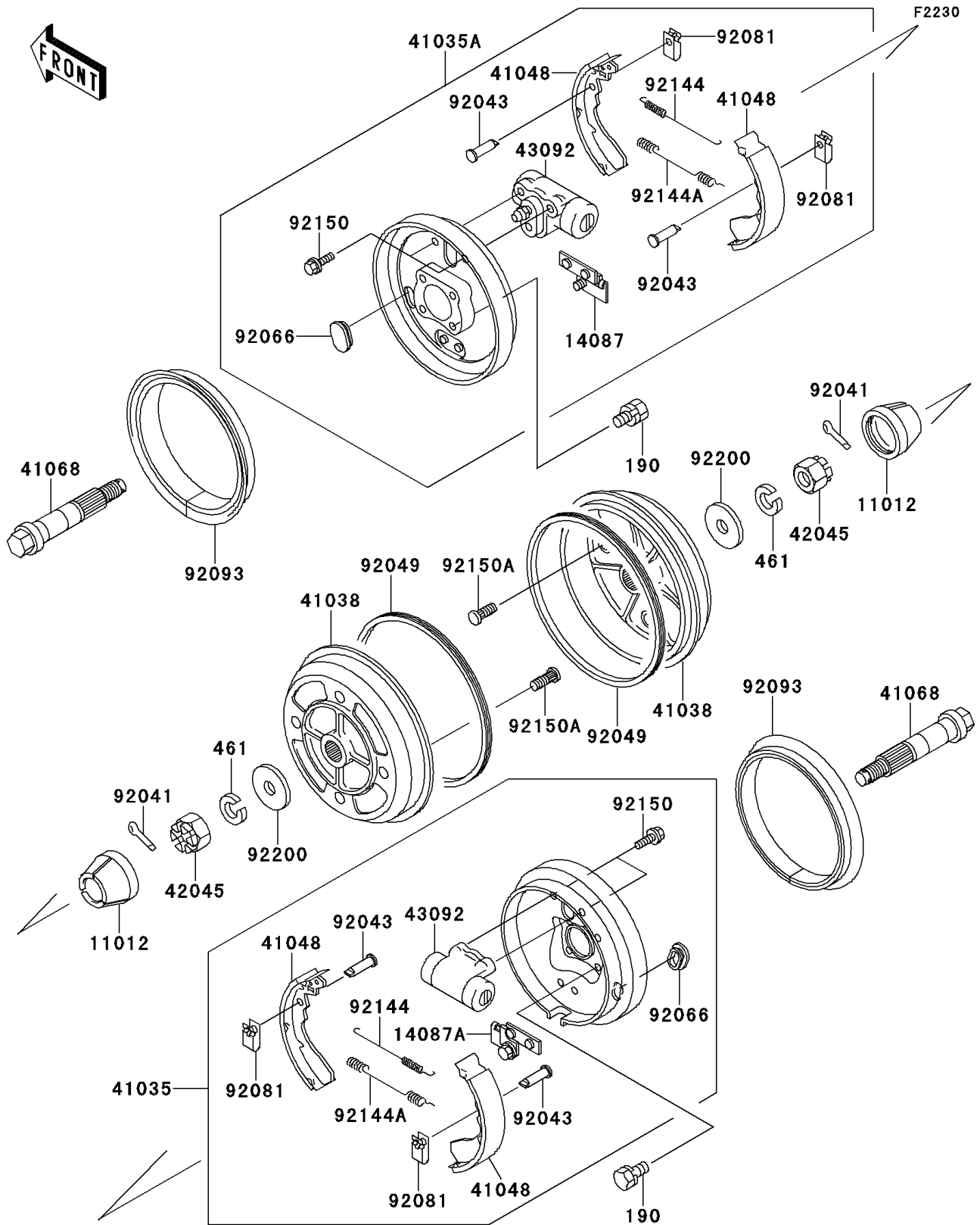


# Mule 2500 PARTS DIAGRAM

Front Hubs/Brakes



# Mule 2500 PARTS LIST

## Front Hubs/Brakes

ITEM NAME	PART NUMBER	QUANTITY
BOLT-UPSET-WS,10X16 (Ref # 190)	190H1016	8
WASHER-SPRING,18MM (Ref # 461)	461F1800	2
CAP,WHEEL (Ref # 11012)	11012-1969	2
RETAINER-ASSY,RH (Ref # 14087)	14087-1001	1
RETAINER-ASSY,LH (Ref # 14087A)	14087-1002	1
PANEL-ASSY-BRAKE,FR,LH (Ref # 41035)	41035-1308	1
PANEL-ASSY-BRAKE,FR,RH (Ref # 41035A)	41035-1309	1
DRUM,FRONT BRAKE (Ref # 41038)	41038-1227	2
SHOE-BRAKE (Ref # 41048)	41048-1077	4
AXLE,FR (Ref # 41068)	41068-1296	2
NUT,CASTLE,18MM (Ref # 42045)	42045-018	2
CYLINDER,FRONT BRAKE PANEL (Ref # 43092)	43092-1054	2
COTTER,4.0X35 (Ref # 92041)	92041-1053	2
PIN,TENSION (Ref # 92043)	92043-1398	4
SEAL-OIL,ODC-205 194 8-1NS (Ref # 92049)	92049-1299	2
PLUG (Ref # 92066)	92066-1309	2
SPRING,SHOE CLAMP (Ref # 92081)	92081-1904	4
SEAL (Ref # 92093)	92093-1357	2
SPRING,BRAKE (Ref # 92144)	92144-1300	2
SPRING,BRAKE (Ref # 92144A)	92144-1301	2
BOLT,FLANGED,6X12 (Ref # 92150)	92150-1166	4
BOLT (Ref # 92150A)	92150-1366	8
WASHER,18.5X52X4.5 (Ref # 92200)	92200-1139	2