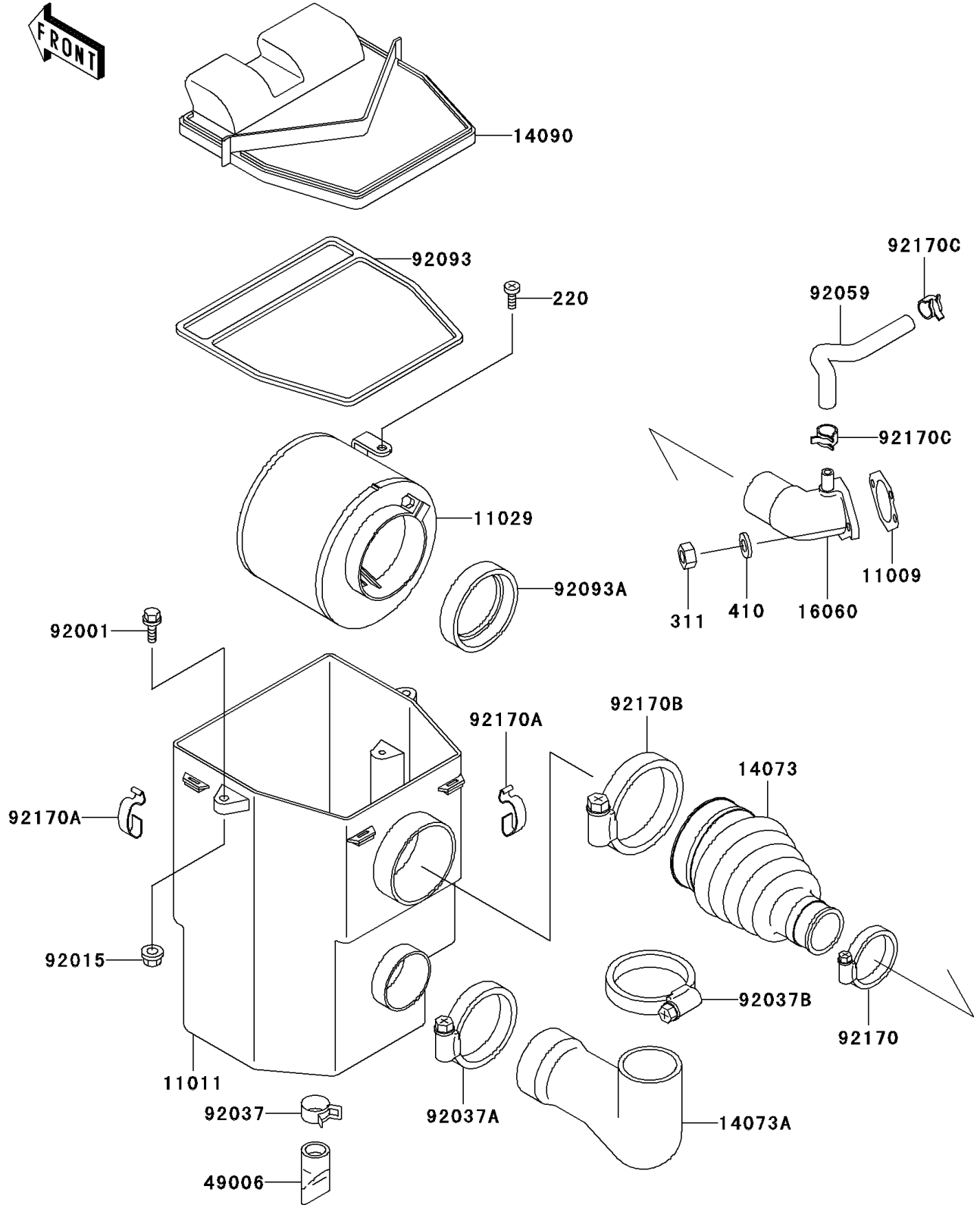


Mule 520 PARTS DIAGRAM

Air Cleaner

E1130



Mule 520 PARTS LIST

Air Cleaner

| ITEM NAME | PART NUMBER | QUANTITY |
|---------------------------------------|-------------|----------|
| SCREW-PAN-CROS,6X14 (Ref # 220) | 220B0614 | 1 |
| NUT-HEX,6MM (Ref # 311) | 311B0600 | 2 |
| WASHER-PLAIN-SMALL,6MM (Ref # 410) | 410B0600 | 2 |
| GASKET (Ref # 11009) | 11009-2925 | 1 |
| CASE-AIR FILTER (Ref # 11011) | 11011-1367 | 1 |
| ELEMENT-ASSY-AIR FILTER (Ref # 11029) | 11029-1004 | 1 |
| DUCT,AIR FILTER (Ref # 14073) | 14073-1453 | 1 |
| DUCT,AIR INTAKE (Ref # 14073A) | 14073-1491 | 1 |
| COVER,AIR FILTER (Ref # 14090) | 14090-1106 | 1 |
| PIPE-INTAKE (Ref # 16060) | 16060-2151 | 1 |
| BOOT (Ref # 49006) | 49006-1199 | 1 |
| BOLT,6X25,W/WASHER (Ref # 92001) | 92001-1140 | 2 |
| NUT,FLANGED,6MM (Ref # 92015) | 92015-1193 | 1 |
| CLAMP (Ref # 92037) | 92037-1460 | 1 |
| CLAMP (Ref # 92037A) | 92037-3009 | 1 |
| CLAMP (Ref # 92037B) | 92037-506 | 1 |
| TUBE (Ref # 92059) | 92059-2280 | 1 |
| SEAL,AIR FILTER (Ref # 92093) | 92093-1241 | 1 |
| SEAL,DUST (Ref # 92093A) | 92093-1322 | 1 |
| CLAMP (Ref # 92170) | 92170-1036 | 1 |
| CLAMP,AIR FILTER (Ref # 92170A) | 92170-1211 | 4 |
| CLAMP (Ref # 92170B) | 92170-1679 | 1 |
| CLAMP (Ref # 92170C) | 92170-2082 | 2 |