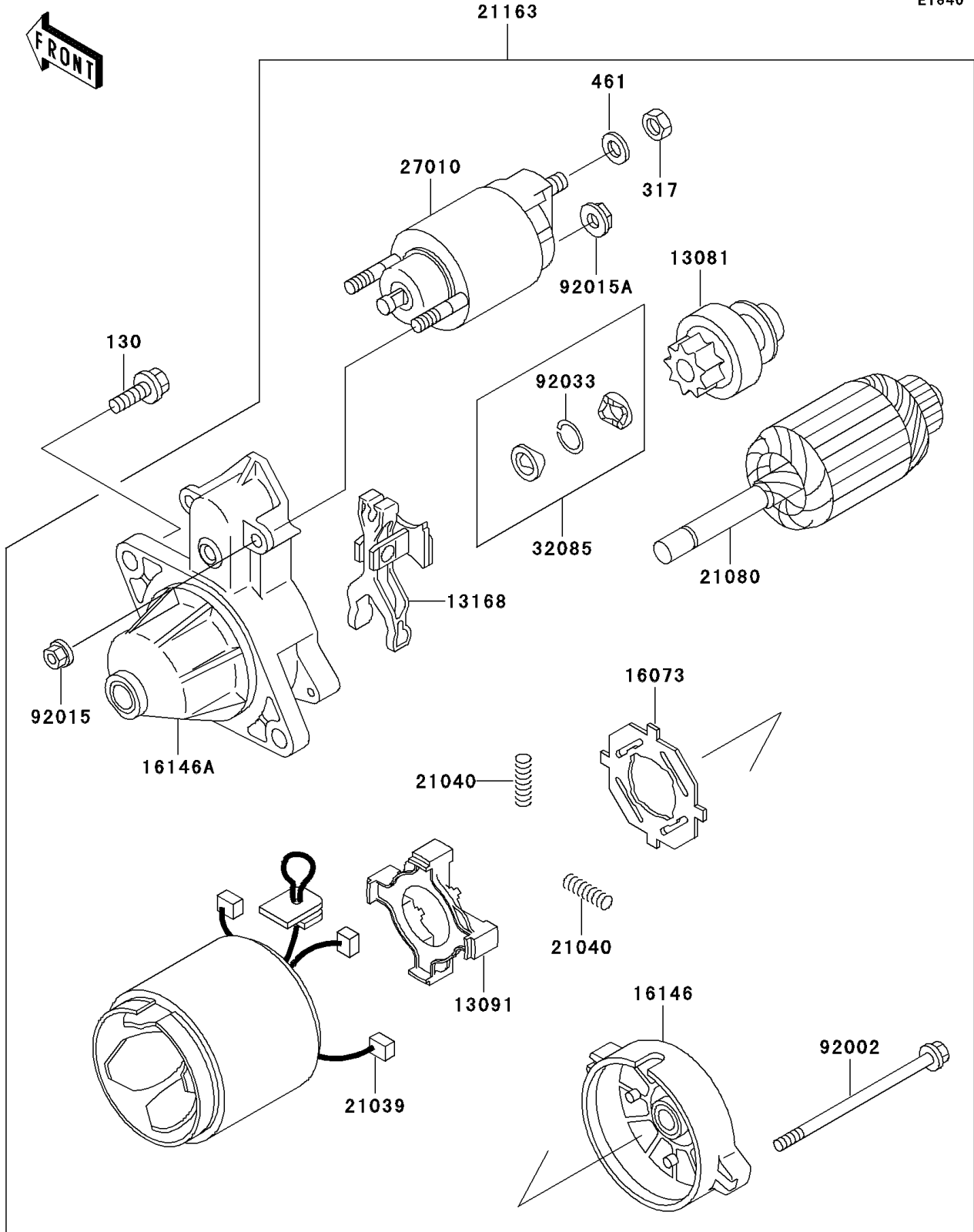


Mule 520 PARTS DIAGRAM

Starter Motor

E1840



Mule 520 PARTS LIST

Starter Motor

| ITEM NAME | PART NUMBER | QUANTITY |
|--------------------------------|-------------|----------|
| BOLT-FLANGED,8X25 (Ref # 130) | 130G0825 | 2 |
| NUT-HEX-SMALL,8MM (Ref # 317) | 317B0800 | 1 |
| WASHER-SPRING,8MM (Ref # 461) | 461F0800 | 1 |
| CLUTCH-ASSY (Ref # 13081) | 13081-2164 | 1 |
| HOLDER,BRUSH (Ref # 13091) | 13091-2068 | 1 |
| LEVER,SHIFT (Ref # 13168) | 13168-2148 | 1 |
| INSULATOR (Ref # 16073) | 16073-2098 | 1 |
| COVER-ASSY,RR (Ref # 16146) | 16146-2164 | 1 |
| COVER-ASSY,FR (Ref # 16146A) | 16146-2191 | 1 |
| BRUSH (Ref # 21039) | 21039-2059 | 4 |
| SPRING-BRUSH (Ref # 21040) | 21040-2052 | 4 |
| ARMATURE (Ref # 21080) | 21080-2064 | 1 |
| STARTER-ELECTRIC (Ref # 21163) | 21163-2109 | 1 |
| SWITCH (Ref # 27010) | 27010-2122 | 1 |
| STOPPER (Ref # 32085) | 32085-2097 | 1 |
| BOLT (Ref # 92002) | 92002-2277 | 2 |
| NUT (Ref # 92015) | 92015-2146 | 2 |
| NUT (Ref # 92015A) | 92015-2147 | 1 |
| RING-SNAP (Ref # 92033) | 92033-2081 | 1 |