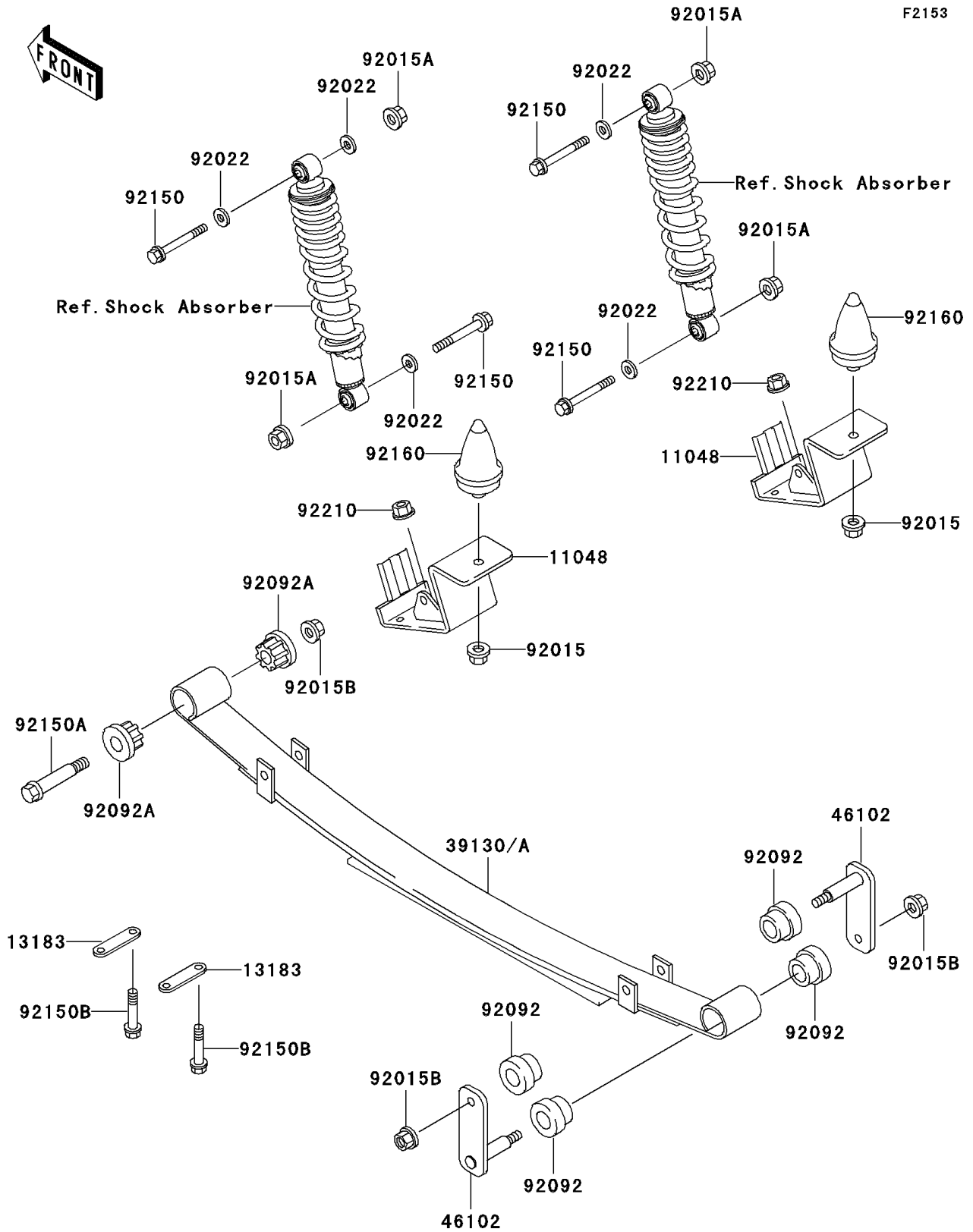


# Mule 2510 Diesel PARTS DIAGRAM

Rear Suspension



## Mule 2510 Diesel PARTS LIST

### Rear Suspension

ITEM NAME	PART NUMBER	QUANTITY
BRACKET,LEAF SPRING (Ref # 11048)	11048-1082	2
PLATE,LEAF SPRING (Ref # 13183)	13183-1447	4
SPRING-LEAF (Ref # 39130)	39130-1066	1
SPRING-LEAF,LH (Ref # 39130A)	39130-1077	1
ROD,LEAF SPRING,RR (Ref # 46102)	46102-1338	4
NUT,FLANGED,10MM (Ref # 92015)	92015-1335	2
NUT,LOCK,10MM (Ref # 92015A)	92015-1597	4
NUT,12MM (Ref # 92015B)	92015-1706	6
WASHER,11.5X20.5X1.6 (Ref # 92022)	92022-1768	5
BUSHING-RUBBER (Ref # 92092)	92092-1083	8
BUSHING-RUBBER (Ref # 92092A)	92092-1084	4
BOLT,FLANGED,10X57 (Ref # 92150)	92150-1227	4
BOLT,12MM (Ref # 92150A)	92150-1284	2
BOLT,10X52 (Ref # 92150B)	92150-1287	8
DAMPER,BUMP STOPPER (Ref # 92160)	92160-1136	2
NUT,LOCK,10MM (Ref # 92210)	92210-1204	8