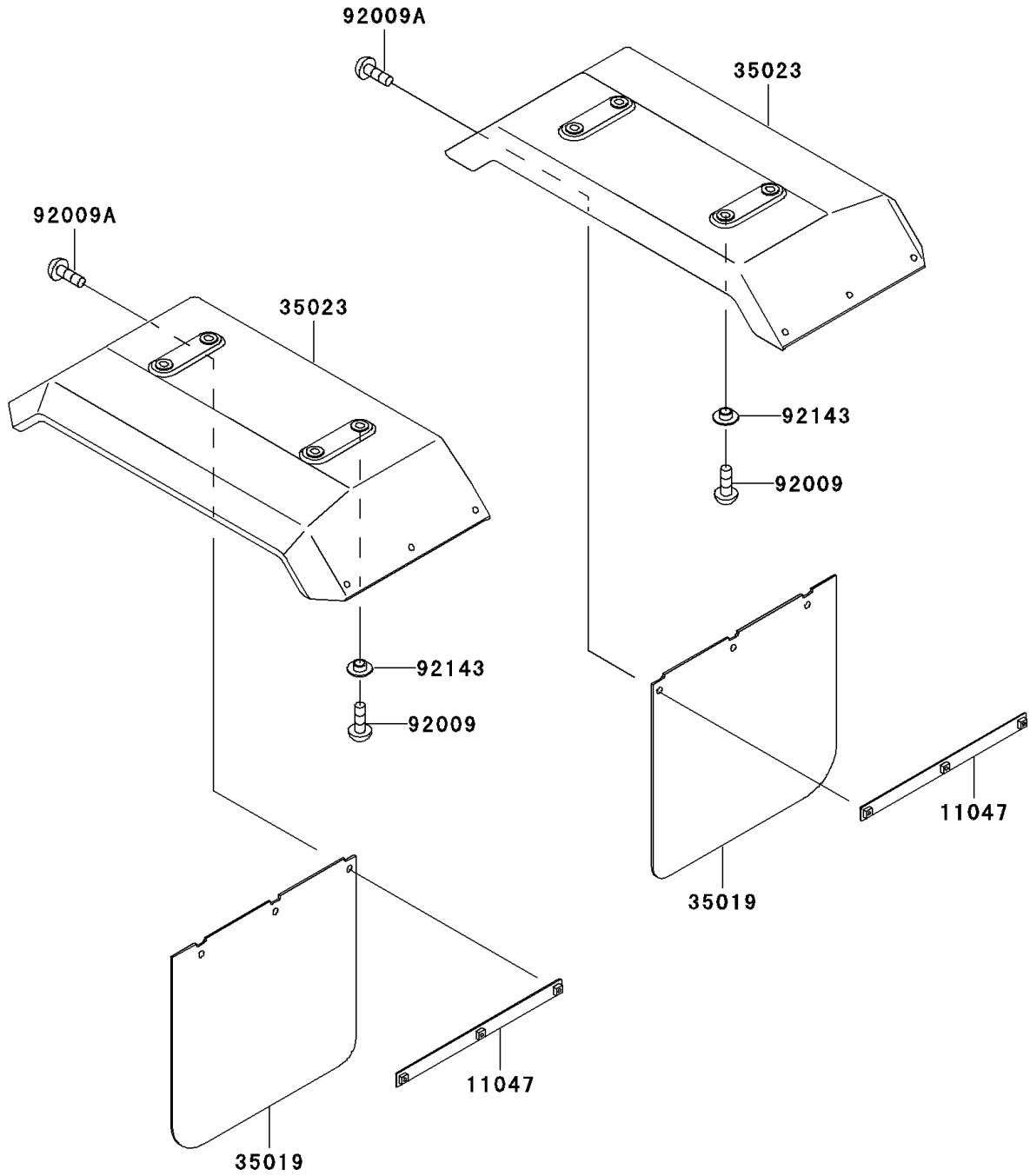


# Mule 2510 Diesel PARTS DIAGRAM

Rear Fender(s)

F2172



## Mule 2510 Diesel PARTS LIST

### Rear Fender(s)

ITEM NAME	PART NUMBER	QUANTITY
BRACKET,REAR FLAP (Ref # 11047)	11047-1172	2
FLAP,REAR FENDER (Ref # 35019)	35019-1244	2
FENDER-REAR (Ref # 35023)	35023-1298	2
SCREW (Ref # 92009)	92009-1166	8
SCREW,6X14 (Ref # 92009A)	92009-1288	6
COLLAR (Ref # 92143)	92143-1087	8