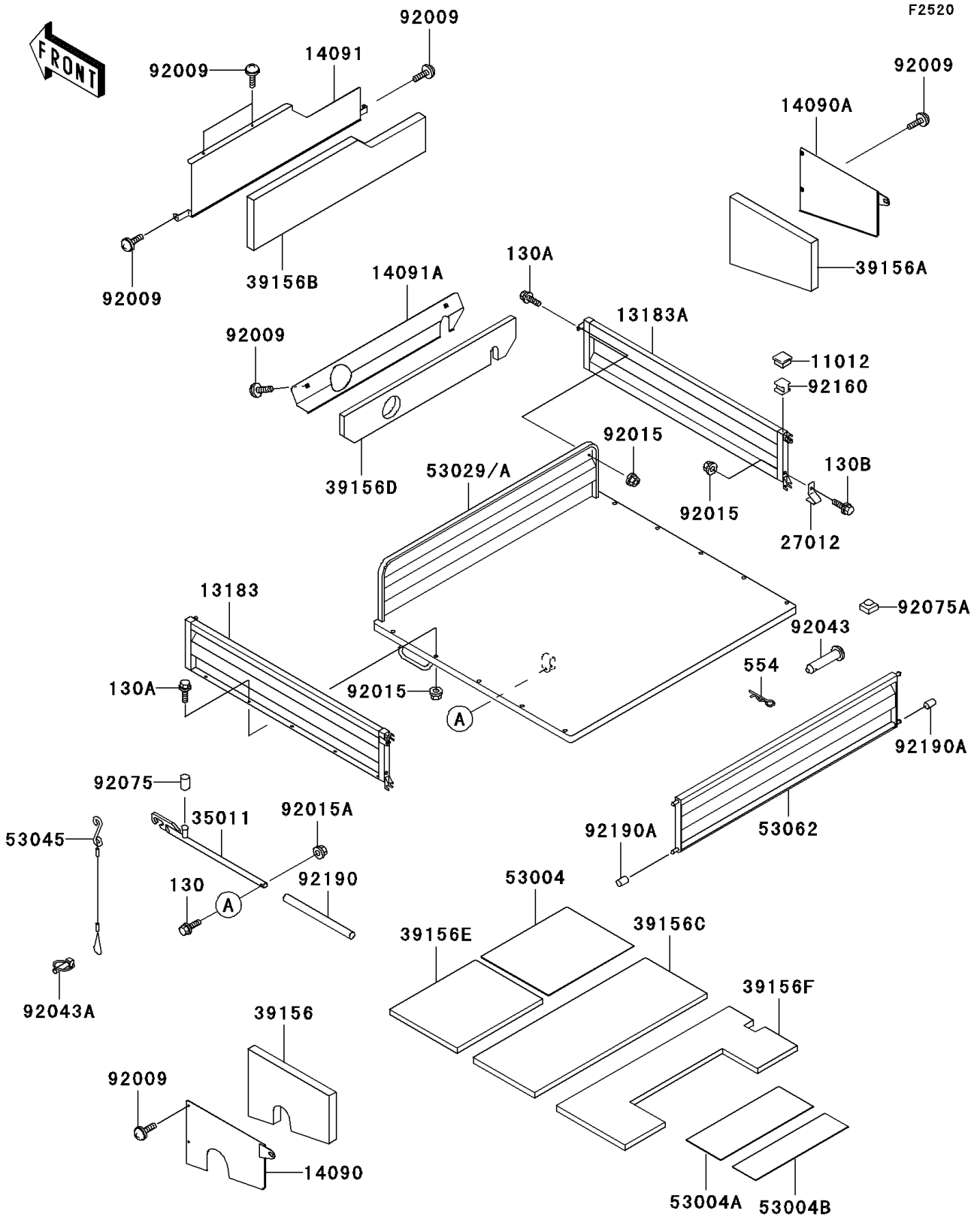


# Mule 2510 Diesel PARTS DIAGRAM

Carrier(s)



## Mule 2510 Diesel PARTS LIST

Carrier(s)

ITEM NAME	PART NUMBER	QUANTITY
BOLT-FLANGED,6X30 (Ref # 130)	130H0630	1
BOLT-FLANGED,8X20 (Ref # 130A)	130J0820	12
BOLT-FLANGED,8X50 (Ref # 130B)	130J0850	2
PIN-SNAP,12MM (Ref # 554)	554A1200	2
CAP (Ref # 11012)	11012-1784	4
PLATE,CARRIER,SIDE,LH,H.GREEN (Ref # 13183)	13183-1893-B9	1
PLATE,CARRIER,SIDE,RH,H.GREEN (Ref # 13183A)	13183-1895-B9	1
COVER,ENCLOSURE,LH (Ref # 14090)	14090-1260	1
COVER,ENCLOSURE,RH (Ref # 14090A)	14090-1261	1
COVER,SEAT UNDER (Ref # 14091)	14091-1151	1
COVER,SEAT REAR (Ref # 14091A)	14091-1152	1
HOOK,TAIL GATE (Ref # 27012)	27012-1406	2
STAY,CARRIER STOPPER (Ref # 35011)	35011-1648	1
PAD,ENCLOSURE COVER,LH (Ref # 39156)	39156-1301	1
PAD,ENCLOSURE COVER,RH (Ref # 39156A)	39156-1302	1
PAD,SEAT UNDER (Ref # 39156B)	39156-1630	1
PAD,CARRIER,MIDDLE (Ref # 39156C)	39156-1632	1
PAD,SEAT REAR (Ref # 39156D)	39156-1633	1
PAD,CARRIER,FR (Ref # 39156E)	39156-1637	1
PAD,CARRIER,RR (Ref # 39156F)	39156-1638	1
MAT,CARRIER,FR (Ref # 53004)	53004-1130	1
MAT,CARRIER,MIDDLE (Ref # 53004A)	53004-1131	1
MAT,CARRIER,RR (Ref # 53004B)	53004-1132	1
CARRIER,H.GREEN (Ref # 53029A)	53029-1246-B9	1
HOOK-ASSY,TALE GATE (Ref # 53045)	53045-1060	2
GATE-TAIL,H.GREEN (Ref # 53062)	53062-1004-B9	1
SCREW,6X16 (Ref # 92009)	92009-1621	10
NUT,FLANGED,8MM (Ref # 92015)	92015-1408	14
NUT,LOCK,FLANGED,6MM (Ref # 92015A)	92015-1675	1

# Mule 2510 Diesel PARTS LIST

Carrier(s)

ITEM NAME	PART NUMBER	QUANTITY
PIN,12X65 (Ref # 92043)	92043-1428	2
PIN (Ref # 92043A)	92043-1490	2
DAMPER (Ref # 92075)	92075-1817	1
DAMPER (Ref # 92075A)	92075-1882	8
DAMPER (Ref # 92160)	92160-1191	2
TUBE,13X16X200 (Ref # 92190)	92190-1401	1
TUBE,8X10X15 (Ref # 92190A)	92190-1467	2