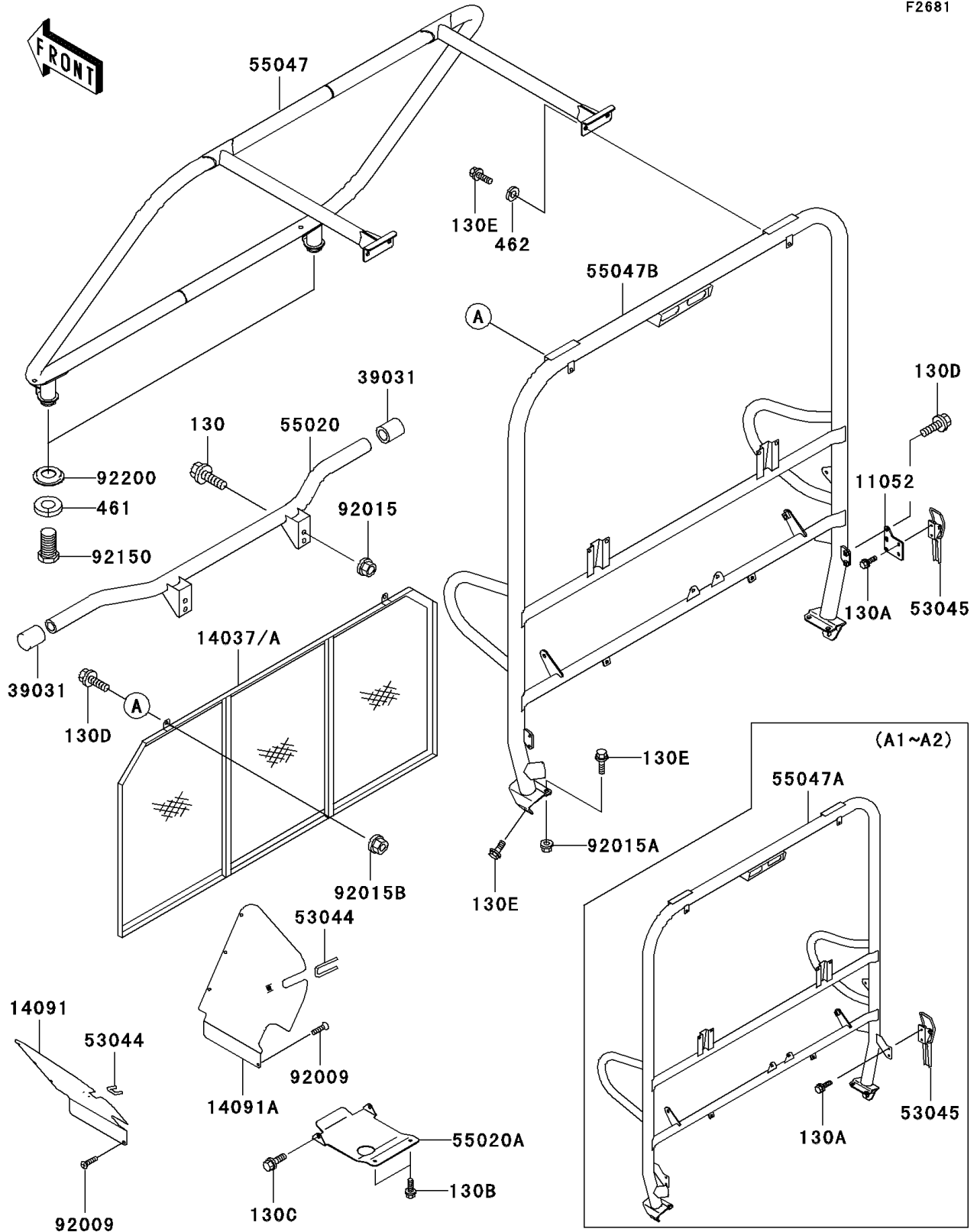


Mule 2510 Diesel PARTS DIAGRAM

Guards/Cab Frame

F2681



Mule 2510 Diesel PARTS LIST

Guards/Cab Frame

| ITEM NAME | PART NUMBER | QUANTITY |
|--------------------------------------|-------------|----------|
| BOLT-FLANGED (Ref # 130) | 130G1225 | 2 |
| BOLT-FLANGED,6X14,BLACK (Ref # 130A) | 130J0614 | 4 |
| BOLT-FLANGED,6X16,BLACK (Ref # 130B) | 130J0616 | 2 |
| BOLT-FLANGED,8X14 (Ref # 130C) | 130J0814 | 2 |
| BOLT-FLANGED,8X20 (Ref # 130D) | 130J0820 | 10 |
| BOLT-FLANGED,10X20 (Ref # 130E) | 130J1020 | 10 |
| WASHER-SPRING,20MM (Ref # 461) | 461F2000 | 2 |
| WASHER-SPRING,10MM (Ref # 462) | 462K1000 | 4 |
| BRACKET (Ref # 11052) | 11052-1450 | 2 |
| SCREEN,REAR GUARD (Ref # 14037A) | 14037-1287 | 1 |
| COVER,FR,LH (Ref # 14091) | 14091-1142 | 1 |
| COVER,FR,RH (Ref # 14091A) | 14091-1143 | 1 |
| CAP-END,BUMPER PIPE (Ref # 39031) | 39031-1059 | 2 |
| TRIM (Ref # 53044) | 53044-1137 | 2 |
| HOOK-ASSY (Ref # 53045) | 53045-1063 | 2 |
| GUARD,FRONT BUMPER (Ref # 55020) | 55020-1471 | 1 |
| GUARD,GEAR CASE (Ref # 55020A) | 55020-1692 | 1 |
| BAR-COMP,CAB FRAME,FR (Ref # 55047) | 55047-1004 | 1 |
| BAR-COMP,RR (Ref # 55047B) | 55047-1017 | 1 |
| SCREW (Ref # 92009) | 92009-1166 | 8 |
| NUT,FLANGED,12MM (Ref # 92015) | 92015-1156 | 2 |
| NUT,FLANGED,10MM (Ref # 92015A) | 92015-1366 | 4 |
| NUT,FLANGED,LOCK,8MM (Ref # 92015B) | 92015-1696 | 6 |
| BOLT,20X35 (Ref # 92150) | 92150-1325 | 2 |
| WASHER (Ref # 92200) | 92200-1032 | 2 |