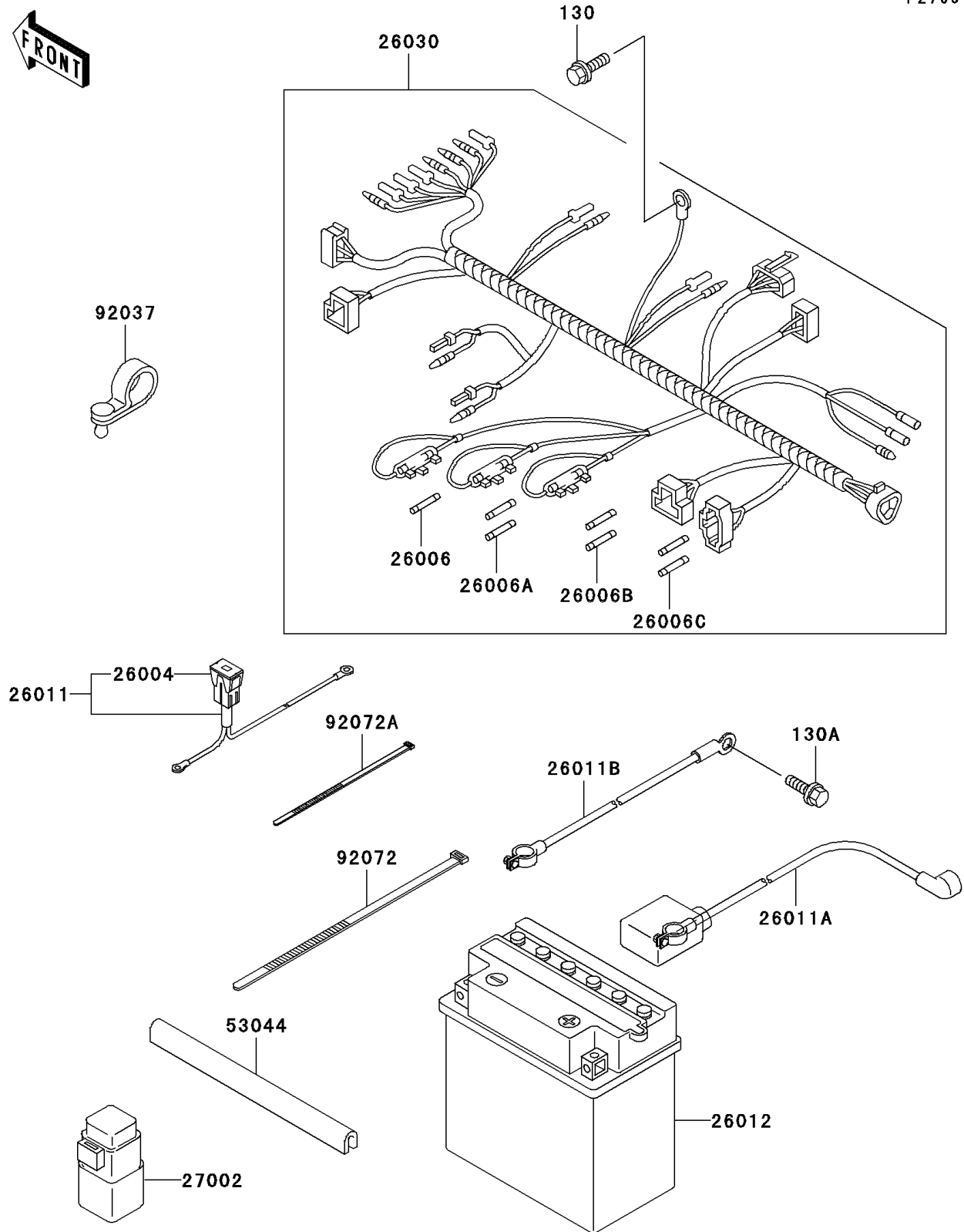


# Mule 2510 Diesel PARTS DIAGRAM

Chassis Electrical Equipment

F2760



# Mule 2510 Diesel PARTS LIST

## Chassis Electrical Equipment

ITEM NAME	PART NUMBER	QUANTITY
BOLT-FLANGED (Ref # 130)	130J0612	1
BOLT-FLANGED (Ref # 130A)	130J0812	1
FUSE-ASSY,50A (Ref # 26004)	26004-1096	1
FUSE,30A,L=30 (Ref # 26006)	26006-1059	1
FUSE,5A,L=32 (Ref # 26006A)	26006-1063	2
FUSE,20A,L=32 (Ref # 26006B)	26006-1064	2
FUSE,15A (Ref # 26006C)	26006-1076	2
WIRE-LEAD,ALTERNATOR (Ref # 26011)	26011-1718	1
WIRE-LEAD,BATTERY(+) (Ref # 26011A)	26011-1738	1
WIRE-LEAD,BATTERY(-) (Ref # 26011B)	26011-1739	1
BATTERY (Ref # 26012)	26012-1377	1
HARNESS,MAIN (Ref # 26030)	26030-1757	1
RELAY-ASSY (Ref # 27002)	27002-1068	1
TRIM (Ref # 53044)	53044-1137	1
CLAMP,HOSE (Ref # 92037)	92037-1827	2
BAND,L=365 (Ref # 92072)	92072-1197	5
BAND,L=188 (Ref # 92072A)	92072-1239	10