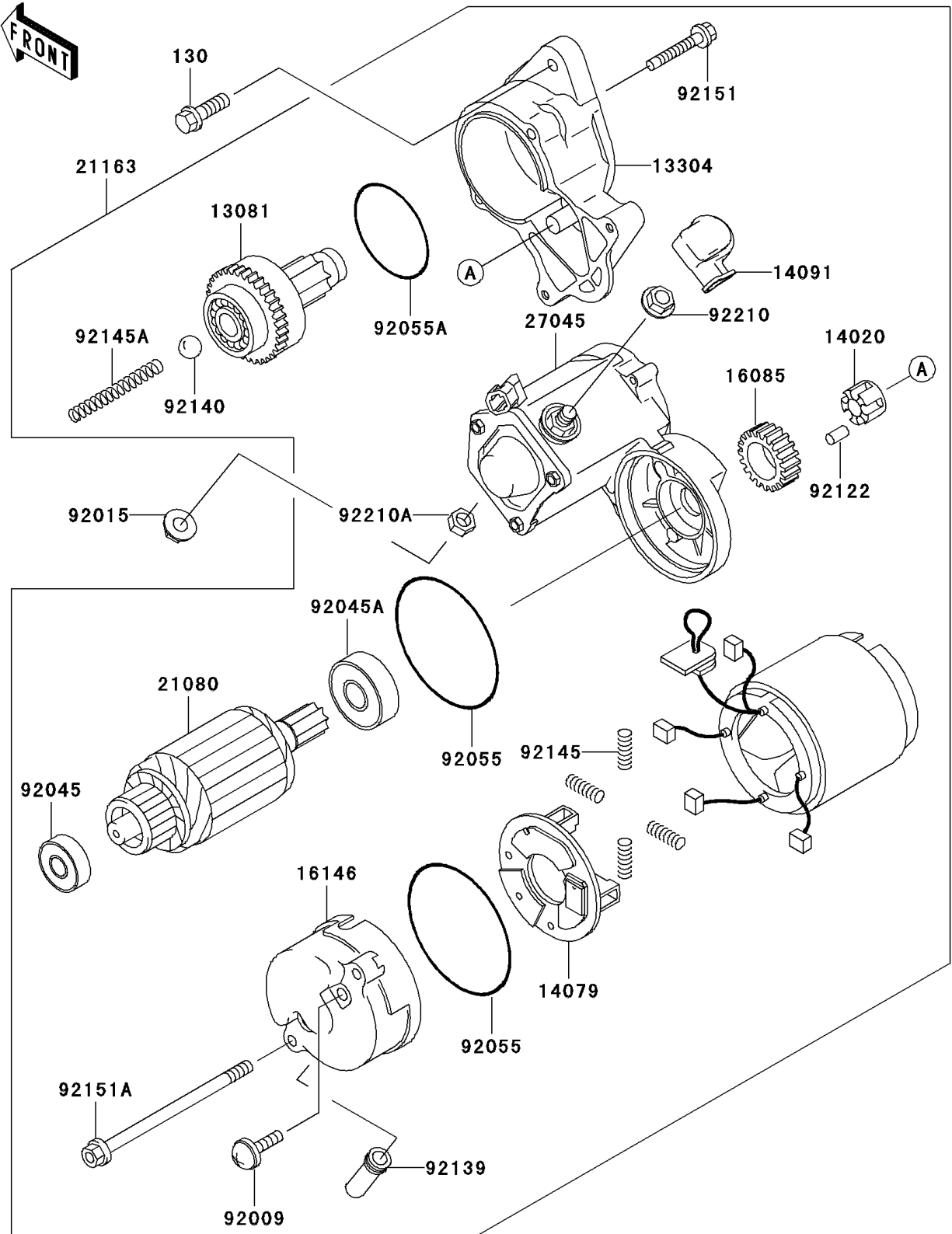


# Mule 3000 PARTS DIAGRAM

Starter Motor

E1840



# Mule 3000 PARTS LIST

## Starter Motor

| ITEM NAME                      | PART NUMBER | QUANTITY |
|--------------------------------|-------------|----------|
| BOLT-FLANGED,8X30 (Ref # 130)  | 130P0830    | 2        |
| CLUTCH-ASSY (Ref # 13081)      | 13081-2231  | 1        |
| HOUSING-ASSY (Ref # 13304)     | 13304-2201  | 1        |
| RETAINER (Ref # 14020)         | 14020-2112  | 1        |
| HOLDER-ASSY (Ref # 14079)      | 14079-2064  | 1        |
| COVER (Ref # 14091)            | 14091-2080  | 1        |
| GEAR (Ref # 16085)             | 16085-2055  | 1        |
| COVER-ASSY (Ref # 16146)       | 16146-2228  | 1        |
| ARMATURE (Ref # 21080)         | 21080-2070  | 1        |
| STARTER-ELECTRIC (Ref # 21163) | 21163-2124  | 1        |
| SWITCH-ASSY (Ref # 27045)      | 27045-2018  | 1        |
| SCREW (Ref # 92009)            | 92009-2455  | 2        |
| NUT,8MM (Ref # 92015)          | 92015-1143  | 1        |
| BEARING-BALL (Ref # 92045)     | 92045-2257  | 1        |
| BEARING-BALL (Ref # 92045A)    | 92045-2258  | 1        |
| RING-O (Ref # 92055)           | 92055-2199  | 2        |
| RING-O (Ref # 92055A)          | 92055-2200  | 1        |
| ROLLER (Ref # 92122)           | 92122-2057  | 5        |
| BUSHING (Ref # 92139)          | 92139-2051  | 1        |
| BALL (Ref # 92140)             | 92140-2061  | 1        |
| SPRING (Ref # 92145)           | 92145-2096  | 4        |
| SPRING (Ref # 92145A)          | 92145-2097  | 1        |
| BOLT (Ref # 92151)             | 92151-2167  | 2        |
| BOLT (Ref # 92151A)            | 92151-2168  | 2        |
| NUT (Ref # 92210)              | 92210-2084  | 1        |
| NUT (Ref # 92210A)             | 92210-2085  | 1        |