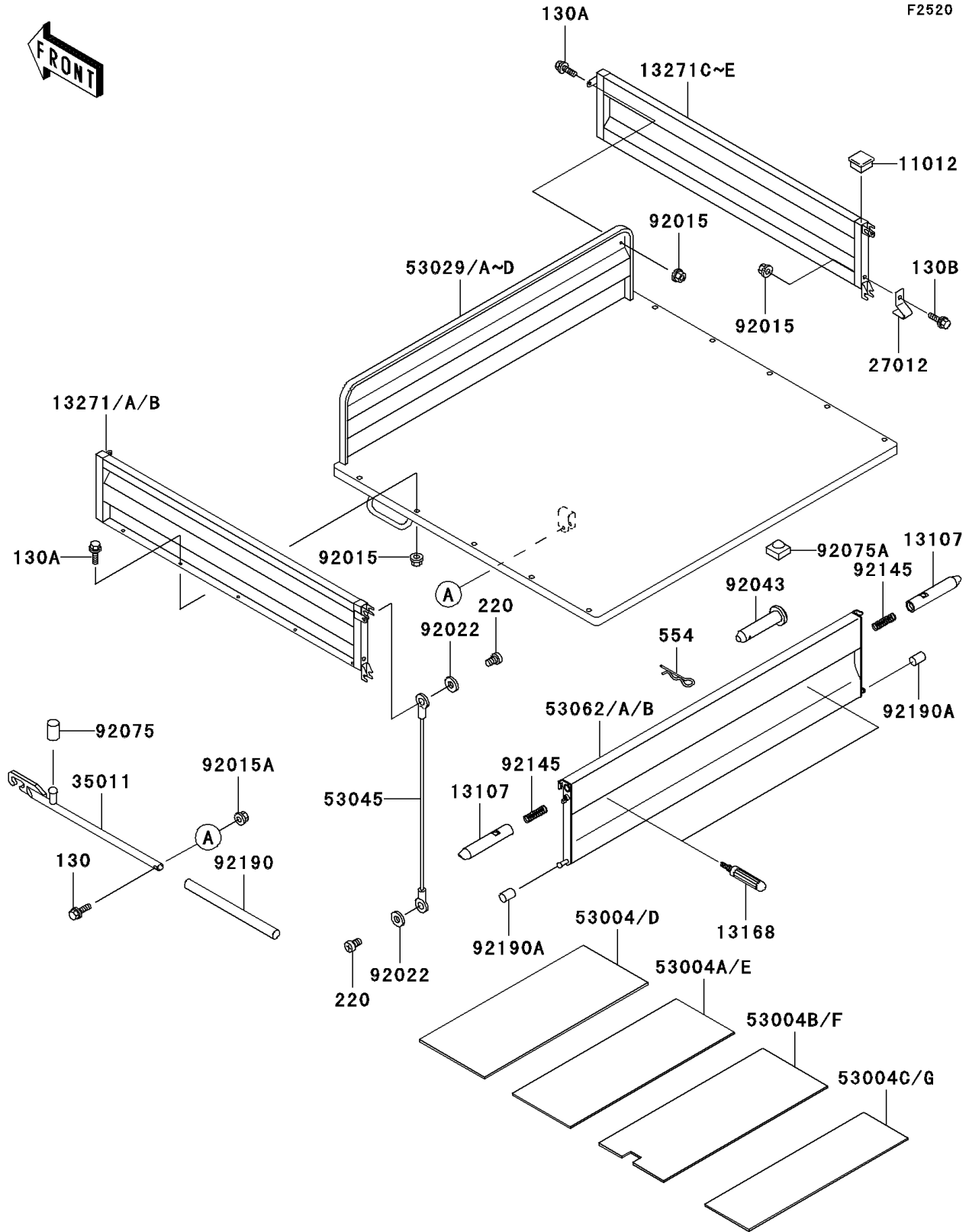


Mule 3000 PARTS DIAGRAM

Carrier(s)(KAF620-G1-G3)



Mule 3000 PARTS LIST

Carrier(s)(KAF620-G1-G3)

ITEM NAME	PART NUMBER	QUANTITY
BOLT-FLANGED,6X30 (Ref # 130)	130H0630	1
BOLT-FLANGED,8X20 (Ref # 130A)	130J0820	12
BOLT-FLANGED,8X50 (Ref # 130B)	130J0850	2
SCREW-PAN-CROS,6X10,BLACK (Ref # 220)	220F0610	4
PIN-SNAP,12MM (Ref # 554)	554A1200	2
CAP (Ref # 11012)	11012-1784	4
SHAFT (Ref # 13107)	13107-1453	2
LEVER (Ref # 13168)	13168-1695	2
PLATE,CARRIER,SIDE,LH,F.RED (Ref # 13271)	13271-1430-B1	1
PLATE,CARRIER,SIDE,LH,H.GREEN (Ref # 13271A)	13271-1430-B9	1
PLATE,CARRIER,SIDE,RH,F.RED (Ref # 13271C)	13271-1433-B1	1
PLATE,CARRIER,SIDE,RH,H.GREEN (Ref # 13271D)	13271-1433-B9	1
HOOK,TAIL GATE (Ref # 27012)	27012-1406	2
STAY,CARRIER STOPPER (Ref # 35011)	35011-1648	1
MAT (Ref # 53004D)	53004-1157	1
MAT (Ref # 53004E)	53004-1158	1
MAT (Ref # 53004F)	53004-1159	1
MAT (Ref # 53004G)	53004-1160	1
CARRIER,F.RED (Ref # 53029B)	53029-1246-B1	1
CARRIER,H.GREEN (Ref # 53029C)	53029-1246-B9	1
HOOK-ASSY,TAIL GATE (Ref # 53045)	53045-1065	2
GATE-TAIL,F.RED (Ref # 53062)	53062-1006-B1	1
GATE-TAIL,H.GREEN (Ref # 53062A)	53062-1006-B9	1
NUT,FLANGED,8MM (Ref # 92015)	92015-1408	14
NUT,LOCK,FLANGED,6MM (Ref # 92015A)	92015-1675	1
WASHER,7X18X1.2 (Ref # 92022)	92022-1545	4
PIN,12X65 (Ref # 92043)	92043-1428	2
DAMPER (Ref # 92075)	92075-1817	1
DAMPER (Ref # 92075A)	92075-1882	8

Mule 3000 PARTS LIST

Carrier(s)(KAF620-G1-G3)

ITEM NAME	PART NUMBER	QUANTITY
SPRING,TENSIONER (Ref # 92145)	92145-1215	2
TUBE,13X16X200 (Ref # 92190)	92190-1401	1
TUBE,8X10X15 (Ref # 92190A)	92190-1467	2