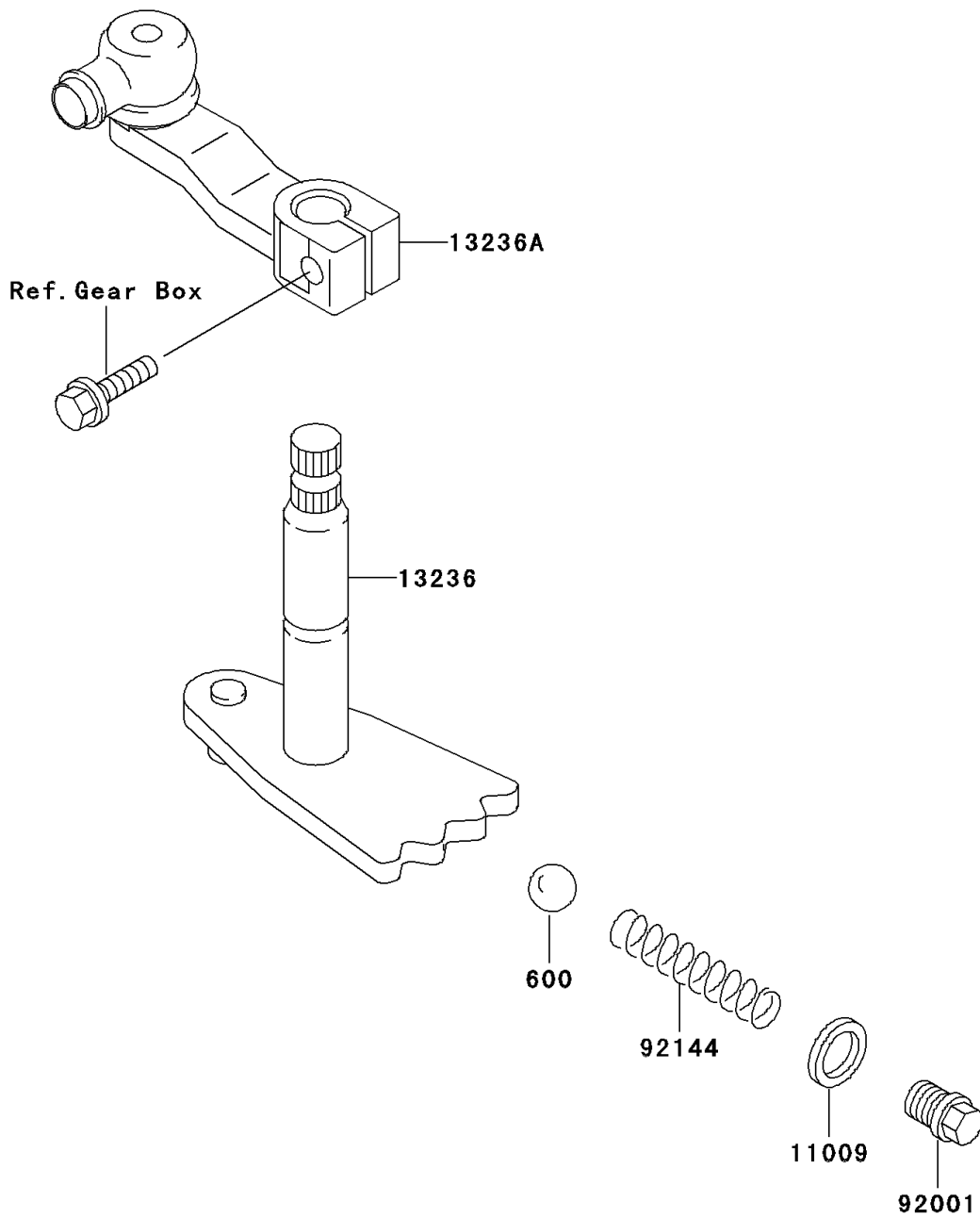


# Mule 550 PARTS DIAGRAM

Gear Change Mechanism

E1370



# Mule 550 PARTS LIST

## Gear Change Mechanism

ITEM NAME	PART NUMBER	QUANTITY
BALL-STEEL,13/32" (Ref # 600)	600A1300	1
GASKET,15.5X22X1 (Ref # 11009)	11009-1008	1
LEVER-COMP,CHANGE (Ref # 13236)	13236-1218	1
LEVER-COMP (Ref # 13236A)	13236-1363	1
BOLT,NEUTRAL POSITION (Ref # 92001)	92001-1037	1
SPRING (Ref # 92144)	92144-1551	1