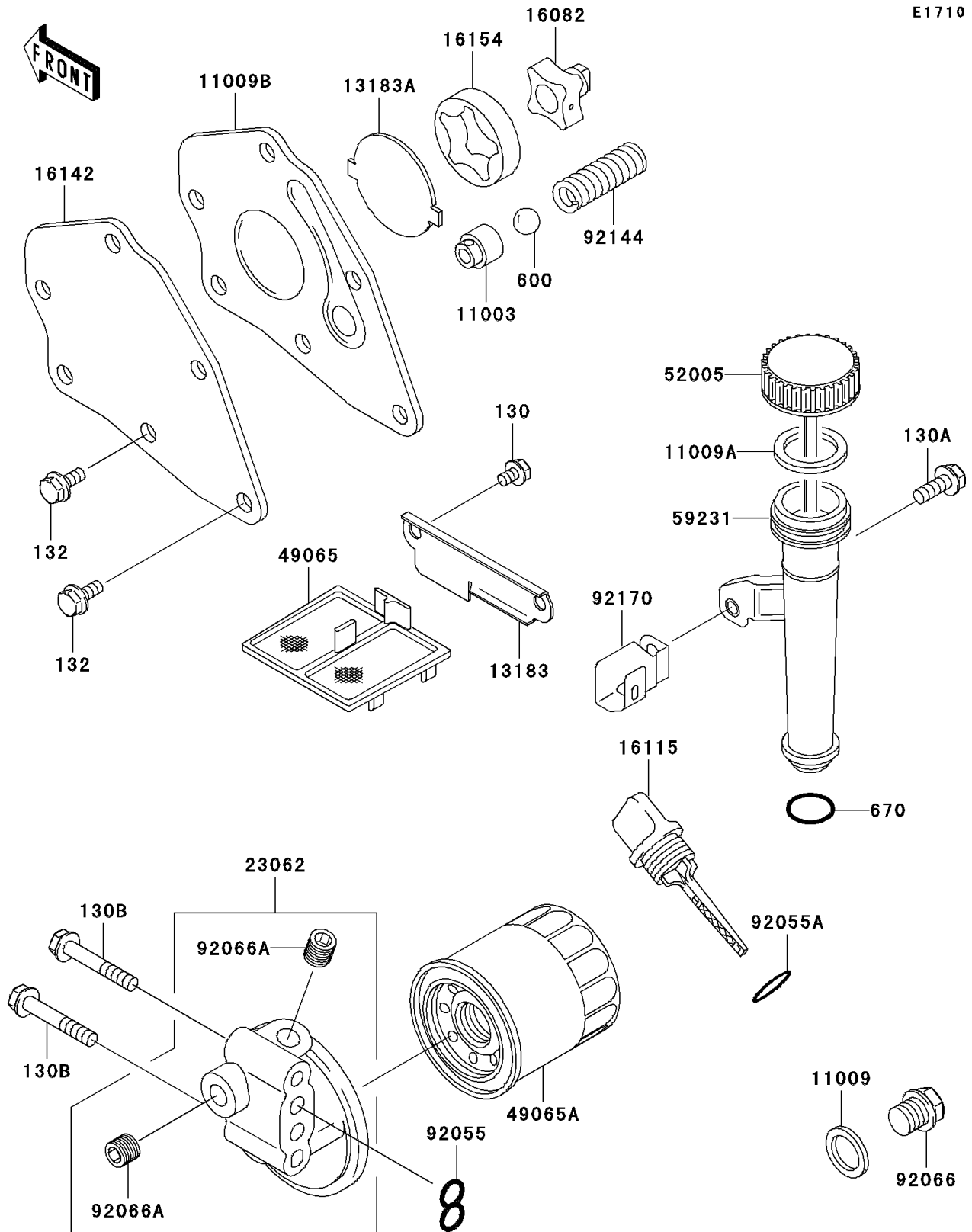


# Mule 550 PARTS DIAGRAM

Oil Pump/Oil Filter

E1710



# Mule 550 PARTS LIST

## Oil Pump/Oil Filter

ITEM NAME	PART NUMBER	QUANTITY
BOLT-FLANGED,5X8 (Ref # 130)	130B0508	2
BOLT-FLANGED,6X16 (Ref # 130A)	130B0616	1
BOLT-FLANGED,6X40 (Ref # 130B)	130G0640	2
BOLT-FLANGED-SMALL (Ref # 132)	132G0612	6
BALL-STEEL,5/16" (Ref # 600)	600A1000	1
O RING,16MM (Ref # 670)	670D2016	1
SEAT-VALVE (Ref # 11003)	11003-2089	1
GASKET (Ref # 11009)	11009-2175	1
GASKET,OIL GAUGE (Ref # 11009A)	11009-2346	1
GASKET,OIL PUMP (Ref # 11009B)	11009-2828	1
PLATE,OIL FILTER (Ref # 13183)	13183-2295	1
PLATE,OIL PUMP (Ref # 13183A)	13183-2298	1
PUMP-ASSY-OIL (Ref # 16082)	16082-2062	1
CAP-OIL FILLER (Ref # 16115)	16115-2079	1
COVER-PUMP (Ref # 16142)	16142-2062	1
ROTOR-PUMP,OUT (Ref # 16154)	16154-2054	1
BRACKET-COMP (Ref # 23062)	23062-6004	1
FILTER-OIL (Ref # 49065)	49065-2068	1
FILTER-OIL (Ref # 49065A)	49065-2071	1
GAUGE (Ref # 52005)	52005-2113	1
FILLER (Ref # 59231)	59231-2072	1
RING-O (Ref # 92055)	92055-2063	1
RING-O,20MM (Ref # 92055A)	92055-2185	1
PLUG (Ref # 92066)	92066-2203	1
PLUG (Ref # 92066A)	92066-2211	2
SPRING (Ref # 92144)	92144-2202	1
CLAMP (Ref # 92170)	92170-2018	1