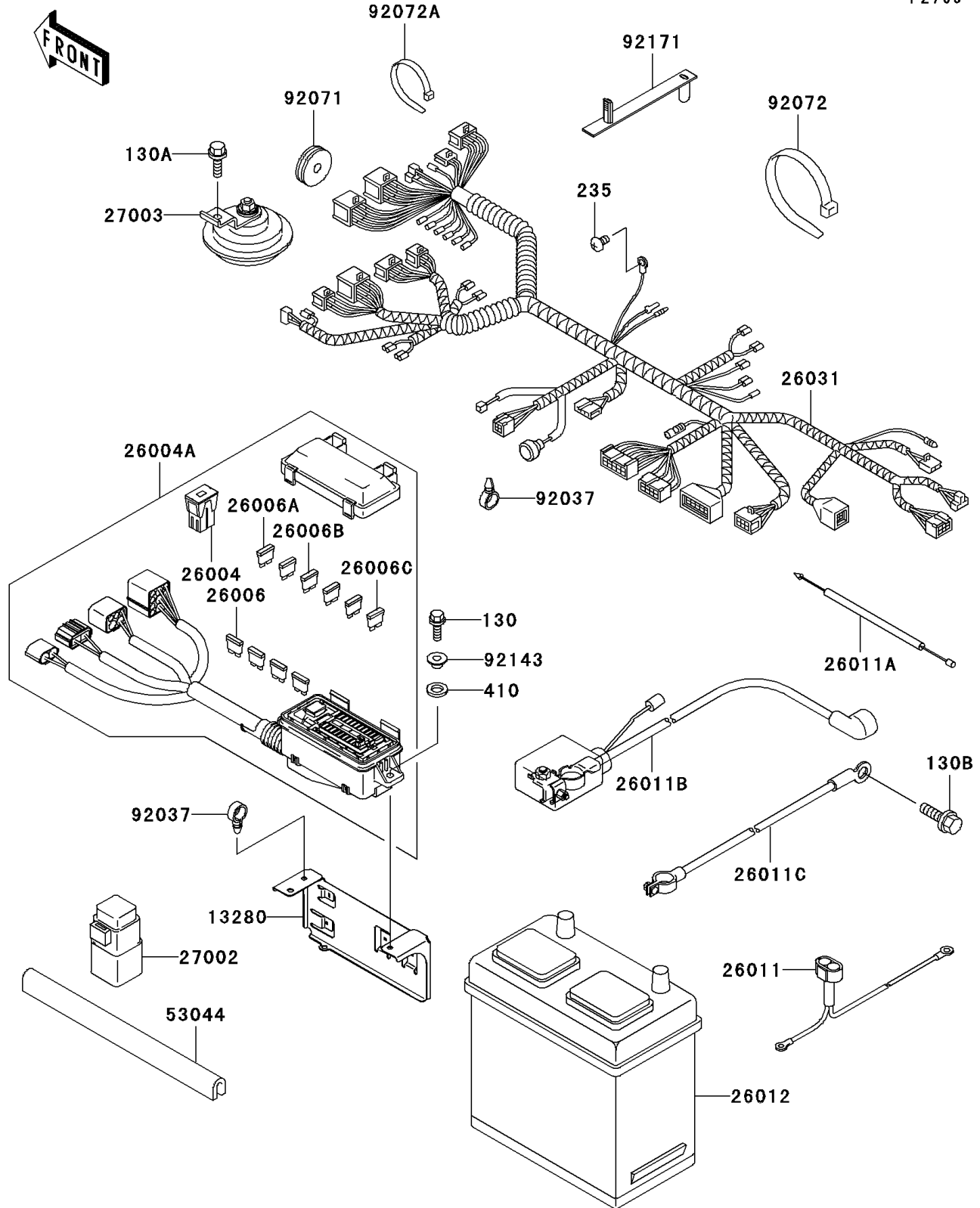


Mule 3010 Diesel 4X4 PARTS DIAGRAM

Chassis Electrical Equipment

F2760



Mule 3010 Diesel 4X4 PARTS LIST

Chassis Electrical Equipment

ITEM NAME	PART NUMBER	QUANTITY
BOLT-FLANGED,6X16,BLACK (Ref # 130)	130J0616	2
BOLT-FLANGED (Ref # 130A)	130J0620	1
BOLT-FLANGED (Ref # 130B)	130J0812	1
SCREW-PAN-WP-CROS (Ref # 235)	235B0610	1
WASHER-PLAIN-SMALL,10MM,BLACK (Ref # 410)	410F1000	2
HOLDER (Ref # 13280)	13280-1220	1
FUSE-ASSY,50A (Ref # 26004)	26004-1096	1
FUSE-ASSY (Ref # 26004A)	26004-7502	1
FUSE,5A (Ref # 26006)	26006-1077	3
FUSE,10A (Ref # 26006A)	26006-1078	2
FUSE,20A (Ref # 26006B)	26006-1079	4
FUSE,30A (Ref # 26006C)	26006-1080	3
WIRE-LEAD,ALTERNATOR (Ref # 26011)	26011-7508	1
WIRE-LEAD,OIL PRESSURE SWITCH (Ref # 26011A)	26011-7509	1
WIRE-LEAD,BATTERY(+) (Ref # 26011B)	26011-7512	1
WIRE-LEAD,BATTERY(-) (Ref # 26011C)	26011-7513	1
BATTERY (Ref # 26012)	26012-1377	1
HARNESS,MAIN (Ref # 26031)	26031-7502	1
RELAY-ASSY (Ref # 27002)	27002-1068	1
HORN (Ref # 27003)	27003-1276	1
TRIM (Ref # 53044)	53044-1137	1
CLAMP,HOSE (Ref # 92037)	92037-1827	3
GROMMET (Ref # 92071)	92071-1136	1
BAND,L=365 (Ref # 92072)	92072-1197	6
BAND,L=188 (Ref # 92072A)	92072-1239	14
COLLAR (Ref # 92143)	92143-1057	2
CLAMP (Ref # 92171)	92171-1365	1