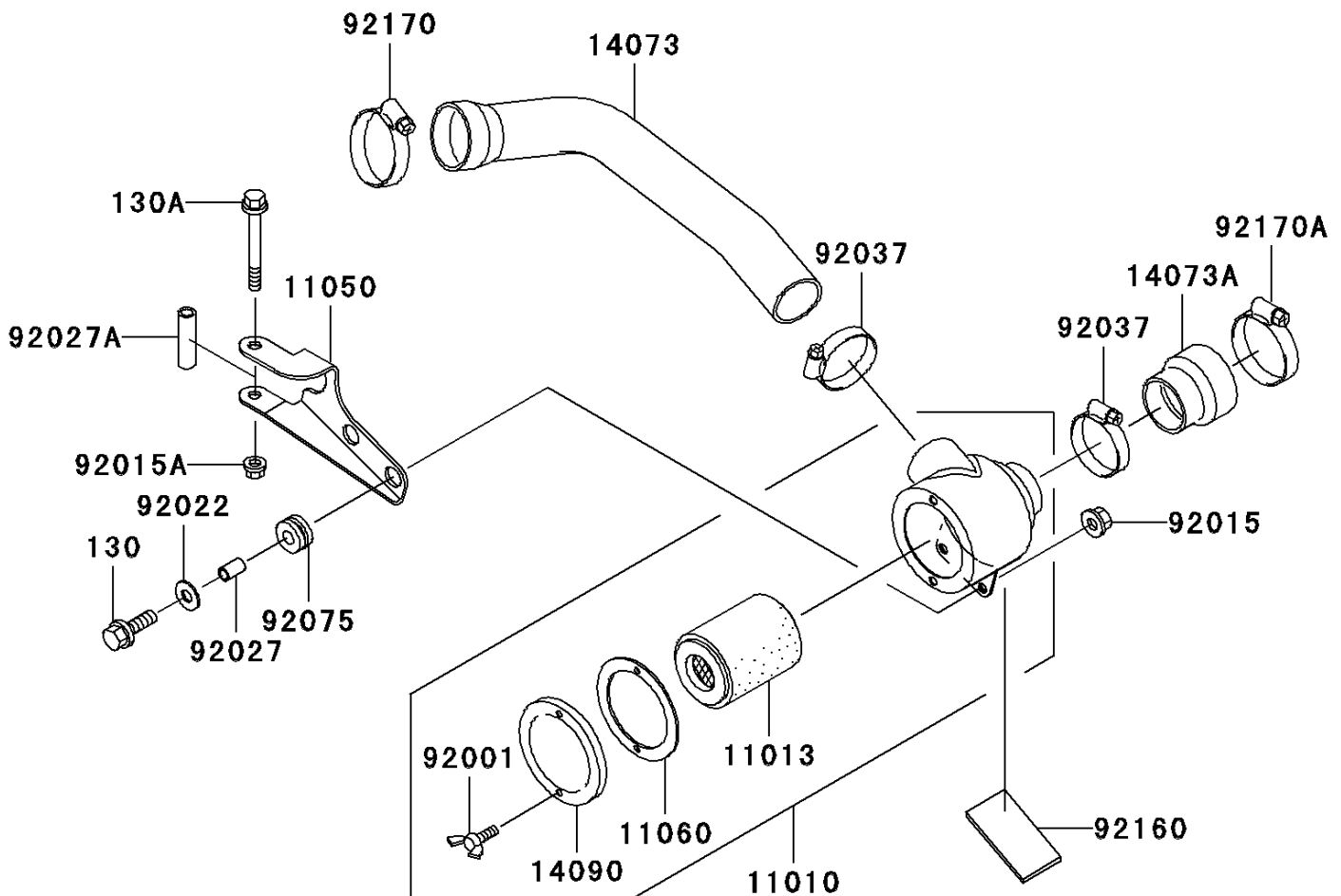


Mule 3010 4x4 Advantage Classic PARTS DIAGRAM

Air Cleaner-Belt Converter

E1394



Mule 3010 4x4 Advantage Classic PARTS LIST

Air Cleaner-Belt Converter

ITEM NAME	PART NUMBER	QUANTITY
BOLT-FLANGED,8X30,BLACK (Ref # 130)	130C0830	2
BOLT-FLANGED (Ref # 130A)	130J1075	1
FILTER-ASSY-AIR (Ref # 11010)	11010-1735	1
ELEMENT-AIR FILTER (Ref # 11013)	11013-1263	1
BRACKET (Ref # 11050)	11050-1404	1
GASKET,AIR FILTER CASE (Ref # 11060)	11060-1975	1
DUCT (Ref # 14073)	14073-1699	1
DUCT (Ref # 14073A)	14073-1700	1
COVER,AIR FILTER (Ref # 14090)	14090-1766	1
BOLT,WING,6X15 (Ref # 92001)	92001-1703	2
NUT,8MM (Ref # 92015)	92015-1432	2
NUT,LOCK,10MM (Ref # 92015A)	92015-1522	1
WASHER,9X28X2.3 (Ref # 92022)	92022-1632	2
COLLAR,8.8X12X15.5 (Ref # 92027)	92027-1081	2
COLLAR,10.5X16X50 (Ref # 92027A)	92027-1738	1
CLAMP (Ref # 92037)	92037-3009	2
DAMPER (Ref # 92075)	92075-1736	2
DAMPER (Ref # 92160)	92160-1102	1
CLAMP (Ref # 92170)	92170-1674	1
CLAMP (Ref # 92170A)	92170-1764	1