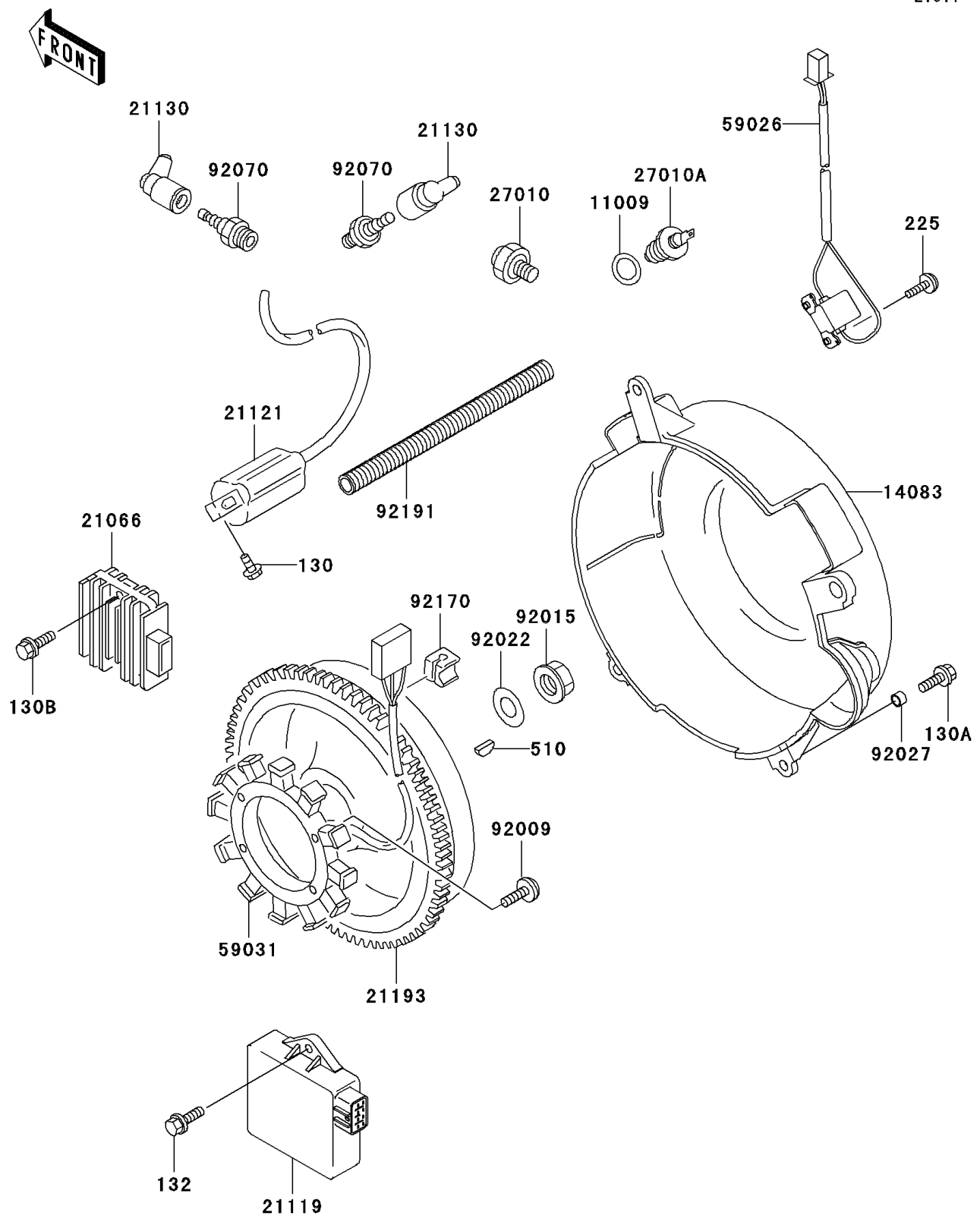


# Mule 3010 4x4 Hardwoods Green HD PARTS DIAGRAM

Generator/Ignition Coil

E1811



# Mule 3010 4x4 Hardwoods Green HD PARTS LIST

## Generator/Ignition Coil

| ITEM NAME                                  | PART NUMBER | QUANTITY |
|--|-------------|----------|
| BOLT-FLANGED (Ref # 130)                   | 130B0520    | 4        |
| BOLT-FLANGED,6X16 (Ref # 130A)             | 130B0616    | 3        |
| BOLT-FLANGED (Ref # 130B)                  | 130J0620    | 2        |
| BOLT-FLANGED-SMALL (Ref # 132)             | 132J0612    | 2        |
| SCREW-PAN-WSP-CROS (Ref # 225)             | 225B0414    | 2        |
| KEY-WOODRUFF (Ref # 510)                   | 510A5100    | 1        |
| GASKET (Ref # 11009)                       | 11009-2766  | 1        |
| COVER-FLYWHEEL (Ref # 14083)               | 14083-2052  | 1        |
| REGULATOR-VOLTAGE (Ref # 21066)            | 21066-1127  | 1        |
| IGNITER (Ref # 21119)                      | 21119-1583  | 1        |
| COIL-IGNITION (Ref # 21121)                | 21121-2092  | 2        |
| CAP-SPARK PLUG (Ref # 21130)               | 21130-2060  | 2        |
| FLYWHEEL-ASSY (Ref # 21193)                | 21193-2184  | 1        |
| SWITCH,OIL PRESSURE (Ref # 27010)          | 27010-1313  | 1        |
| SWITCH,TEMP (Ref # 27010A)                 | 27010-2182  | 1        |
| COIL-PULSING (Ref # 59026)                 | 59026-2065  | 1        |
| COIL-CHARGING (Ref # 59031)                | 59031-2126  | 1        |
| SCREW (Ref # 92009)                        | 92009-2273  | 4        |
| NUT (Ref # 92015)                          | 92015-2167  | 1        |
| WASHER (Ref # 92022)                       | 92022-2229  | 1        |
| COLLAR,6.2X7.8X5 (Ref # 92027)             | 92027-2096  | 3        |
| PLUG-SPARK,BPR2ES(NGK),SOLID (Ref # 92070) | 92070-2110  | 2        |
| CLAMP (Ref # 92170)                        | 92170-2056  | 1        |
| TUBE (Ref # 92191)                         | 92191-2124  | 1        |