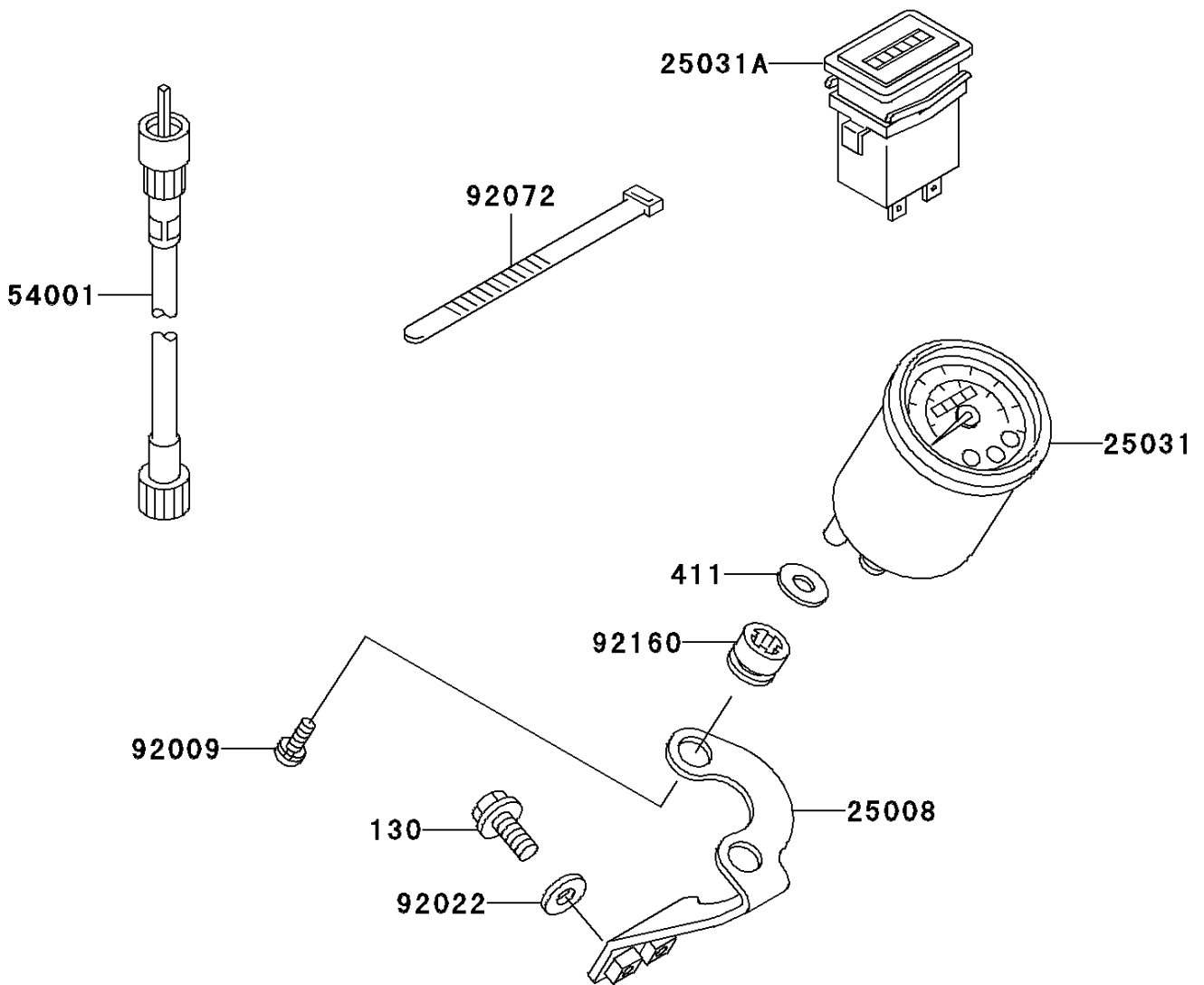


Mule 3010 Diesel 4X4 PARTS DIAGRAM

Meter(s)

F2530



Mule 3010 Diesel 4X4 PARTS LIST

Meter(s)

ITEM NAME	PART NUMBER	QUANTITY
BOLT-FLANGED,6X14,BLACK (Ref # 130)	130J0614	2
WASHER-PLAIN,8MM (Ref # 411)	411B0800	2
BRACKET-METER (Ref # 25008)	25008-1228	1
METER-ASSY,MPH (Ref # 25031)	25031-1190	1
METER-ASSY,HOUR (Ref # 25031A)	25031-7505	1
CABLE-SPEEDOMETER (Ref # 54001)	54001-1135	1
SCREW,5X12 (Ref # 92009)	92009-3740	2
WASHER,6.5X16X1.0 (Ref # 92022)	92022-1093	2
BAND,L=188 (Ref # 92072)	92072-1239	1
DAMPER (Ref # 92160)	92160-1461	2