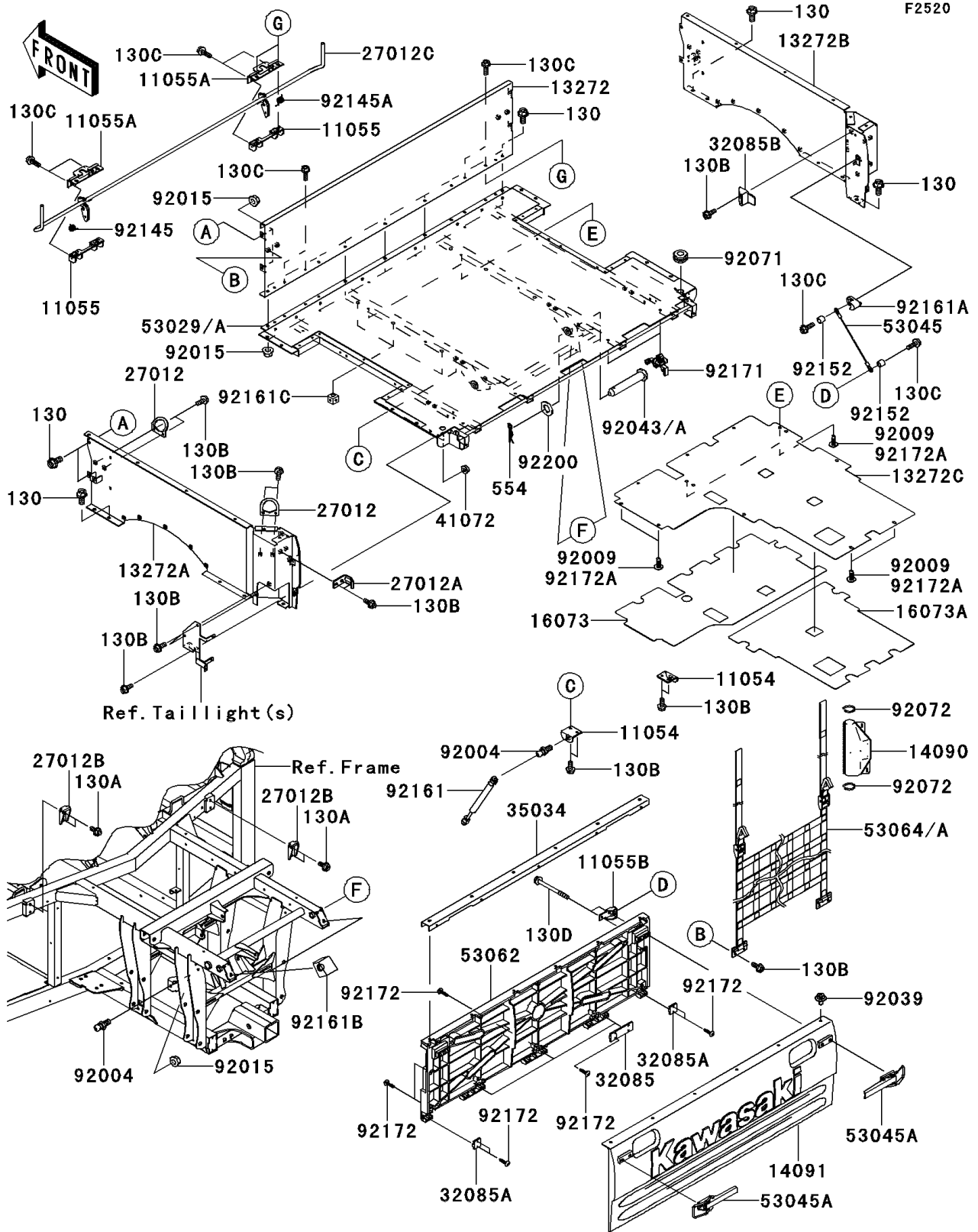


2011 TERYX® 750 FI 4x4 LE PARTS DIAGRAM

Carrier(s)



2011 TERYX® 750 FI 4x4 LE PARTS LIST

Carrier(s)

ITEM NAME	PART NUMBER	QUANTITY
BRACKET (Ref # 11054)	11054-1159	2
BRACKET (Ref # 11055)	11055-0795	2
BRACKET (Ref # 11055A)	11055-0797	2
BRACKET, TAIL GATE (Ref # 11055B)	11055-0798	2
PLATE, CARRIER, FR (Ref # 13272)	13272-0464	1
PLATE, CARRIER, LH (Ref # 13272A)	13272-0692	1
PLATE, CARRIER, RH (Ref # 13272B)	13272-0694	1
PLATE, HEAT GUARD (Ref # 13272C)	13272-0719	1
COVER, COUPLER (Ref # 14090)	14090-1611	2
COVER, TAIL GATE, CAMOUFLAGE (Ref # 14091)	14091-1613-16P	1
INSULATOR (Ref # 16073)	16073-0085	1
INSULATOR (Ref # 16073A)	16073-0086	1
HOOK (Ref # 27012)	27012-0113	4
HOOK (Ref # 27012A)	27012-0133	2
HOOK, CARRIER DUMP LOCK (Ref # 27012B)	27012-0145	2
HOOK, CARRIER DUMP LOCK (Ref # 27012C)	27012-0167	1
STOPPER (Ref # 32085)	32085-0103	3
STOPPER (Ref # 32085A)	32085-0104	2
STOPPER (Ref # 32085B)	32085-0145	2
REINFORCE (Ref # 35034)	35034-0102	1
NUT, 6MM (Ref # 41072)	41072-007	2
CARRIER, BASE (Ref # 53029)	53029-0087	1
HOOK-ASSY, TAIL GATE (Ref # 53045)	53045-0004	2
HOOK-ASSY (Ref # 53045A)	53045-1063	2
GATE-TAIL (Ref # 53062)	53062-0014	1
NET-CARGO (Ref # 53064)	53064-0012	1
STUD, 8X13.5 (Ref # 92004)	92004-0034	4
SCREW, TAPPING, 6X16 (Ref # 92009)	92009-1166	11
NUT, FLANGED, 8MM (Ref # 92015)	92015-1406	19

2011 TERYX® 750 FI 4x4 LE PARTS LIST

Carrier(s)

ITEM NAME	PART NUMBER	QUANTITY
RIVET (Ref # 92039)	92039-1256	6
PIN,12.4X72.4 (Ref # 92043)	92043-0168	2
GROMMET (Ref # 92071)	92071-1010	2
BAND,L=123 (Ref # 92072)	92072-030	4
SPRING,LH (Ref # 92145)	92145-0653	1
SPRING,RH (Ref # 92145A)	92145-0654	1
COLLAR,6.3X9.5X8 (Ref # 92152)	92152-0621	4
DAMPER,GAS SPRINGS (Ref # 92161)	92161-0451	2
BOLT-FLANGED,8X16 (Ref # 130)	130BA0816	19
BOLT-FLANGED,6X12 (Ref # 130A)	130BB0612	4
BOLT-FLANGED,6X14 (Ref # 130B)	130BB0614	28
BOLT-FLANGED,6X18 (Ref # 130C)	130BB0618	12
BOLT-FLANGED,6X65 (Ref # 130D)	130BB0665	4
PIN-SNAP,12MM (Ref # 554)	554DA1200	2
DAMPER (Ref # 92161A)	92161-0550	2
DAMPER (Ref # 92161B)	92161-0698	2
DAMPER (Ref # 92161C)	92161-0774	6
CLAMP (Ref # 92171)	92171-0453	4
SCREW,TAPPING,4X16 (Ref # 92172)	92172-0347	28
WASHER,13X24X2 (Ref # 92200)	92200-0451	2