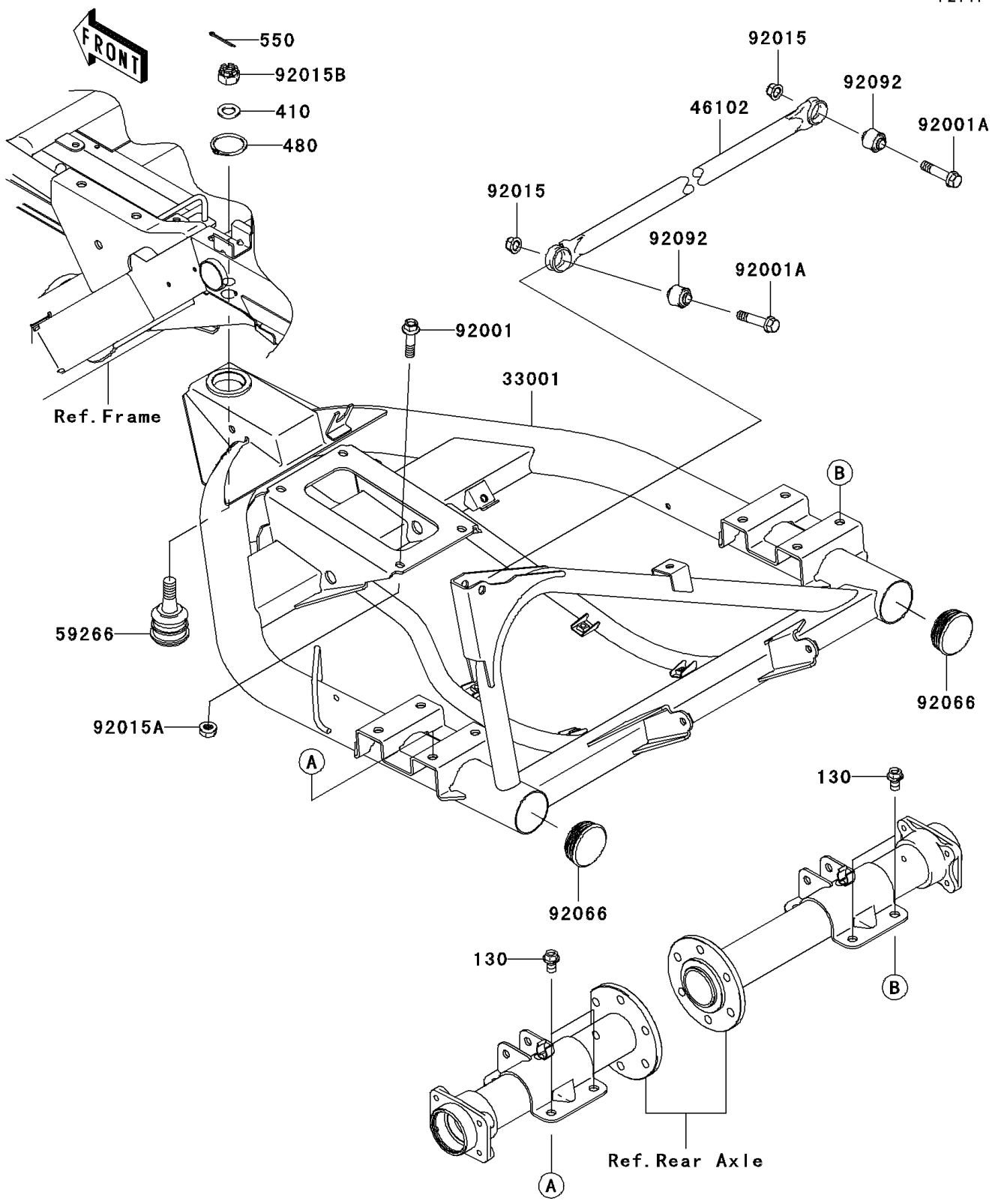


# Mule 610 4x4 Hardwoods Green HD PARTS DIAGRAM

Swingarm

F2141



# Mule 610 4x4 Hardwoods Green HD PARTS LIST

## Swingarm

ITEM NAME	PART NUMBER	QUANTITY
BOLT-FLANGED,10X16 (Ref # 130)	130J1016	8
WASHER-PLAIN-SMALL,14MM (Ref # 410)	410B1400	1
CIRCLIP-TYPE-C,38MM (Ref # 480)	480J3800	1
PIN-COTTER,3.2X30 (Ref # 550)	550D3230	1
ARM-COMP-SWING (Ref # 33001)	33001-0061	1
ROD (Ref # 46102)	46102-1297	1
JOINT-BALL (Ref # 59266)	59266-1087	1
BOLT,FLANGED,10X38 (Ref # 92001)	92001-1293	4
BOLT,FLANGED,10X44 (Ref # 92001A)	92001-1499	2
NUT,FLANGED,10MM (Ref # 92015)	92015-1335	2
NUT,LOCK,FLANGED,10MM (Ref # 92015A)	92015-1717	4
NUT,CASTLE,14MM (Ref # 92015B)	92015-1841	1
PLUG (Ref # 92066)	92066-0044	2
BUSHING-RUBBER (Ref # 92092)	92092-1072	2