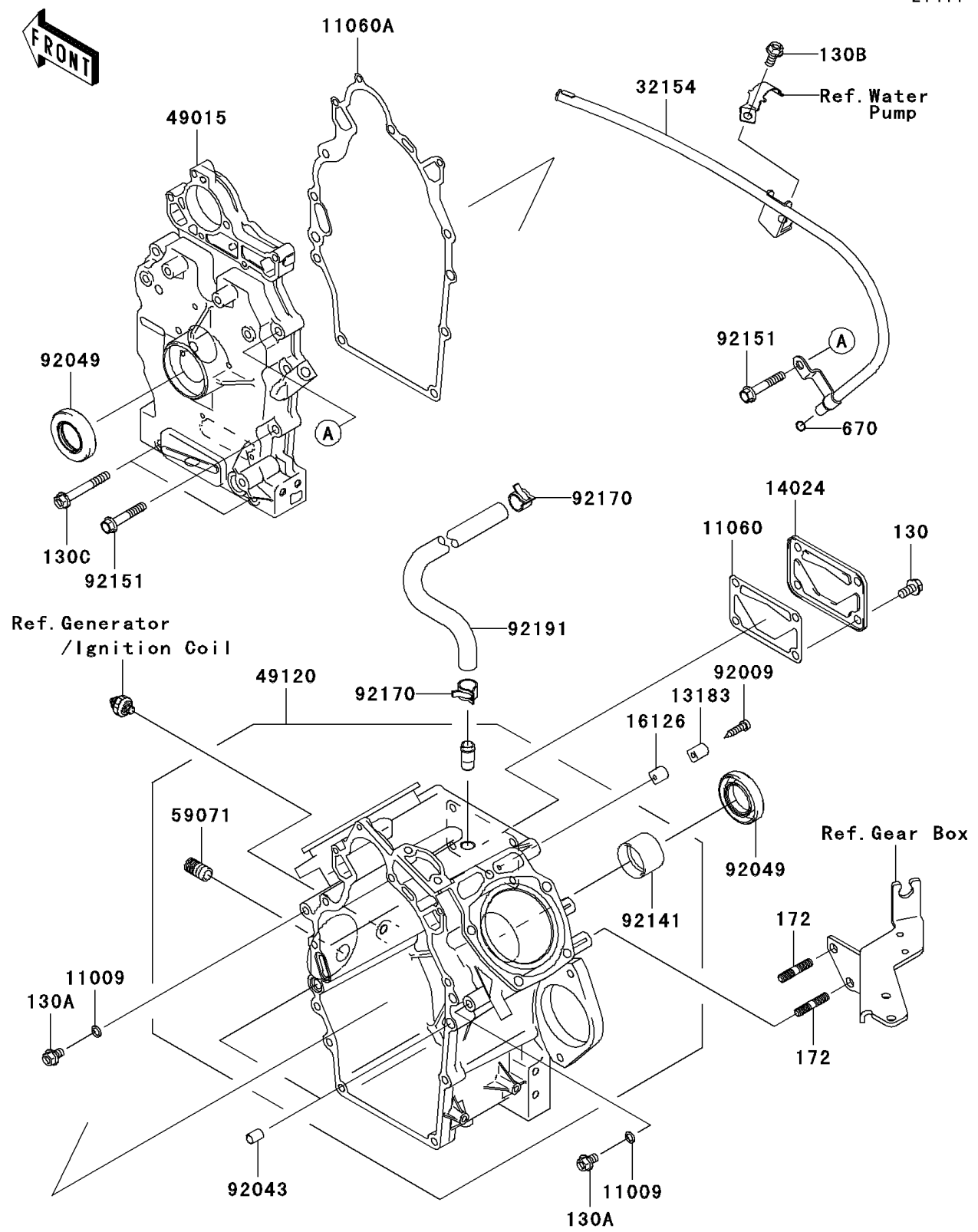


Mule 3010 Trans4x4 Hardwoods Green HD PARTS DIAGRAM

Crankcase

E1411



Mule 3010 Trans4x4 Hardwoods Green HD PARTS LIST

Crankcase

ITEM NAME	PART NUMBER	QUANTITY
-----------	-------------	----------