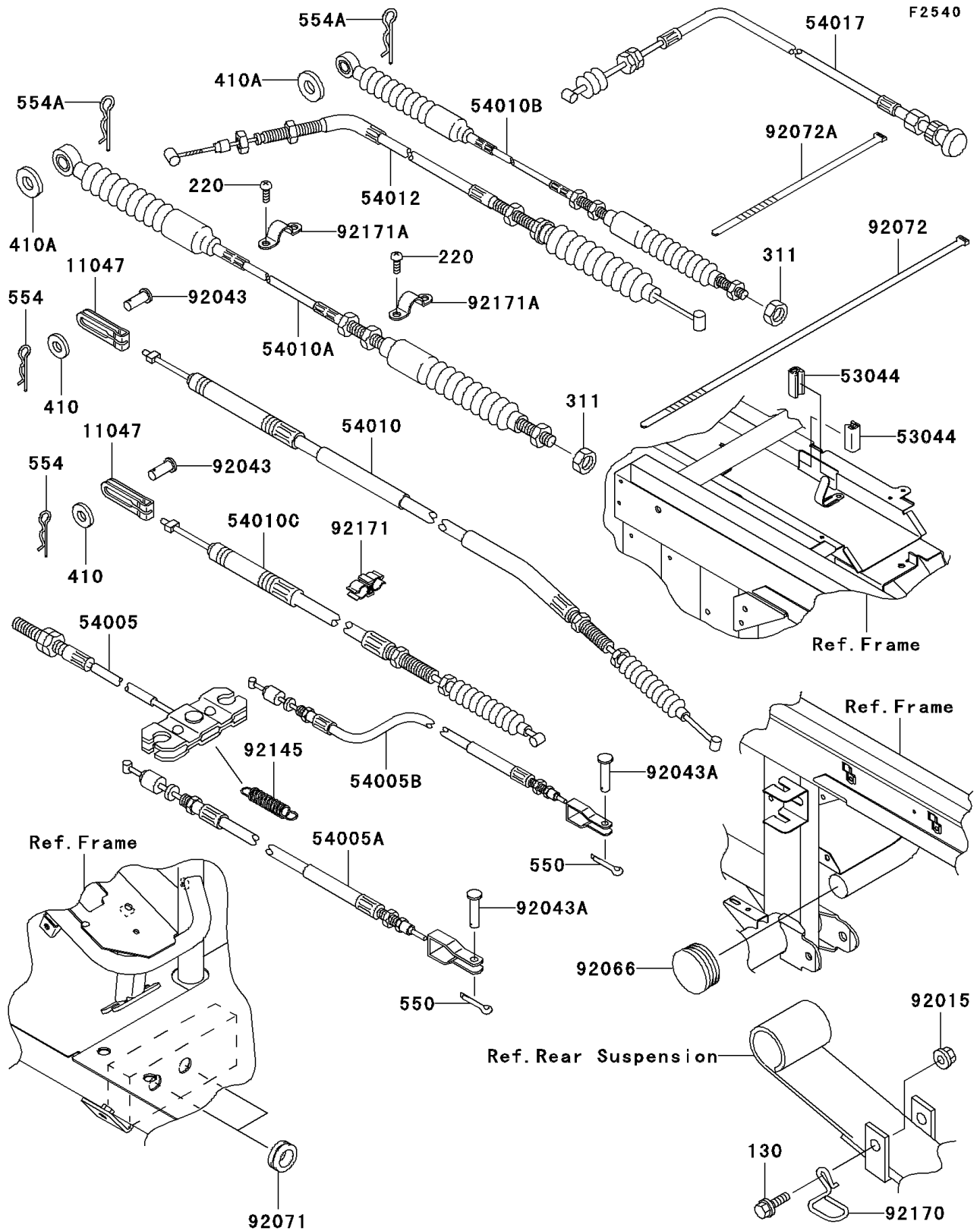


Mule 3010 Trans4x4 Hardwoods Green HD PARTS DIAGRAM

Cables



Mule 3010 Trans4x4 Hardwoods Green HD PARTS LIST

Cables

ITEM NAME	PART NUMBER	QUANTITY
BOLT-FLANGED (Ref # 130)	130D0620	1
SCREW-PAN-CROS,5X14 (Ref # 220)	220D0514	4
NUT-HEX,6MM (Ref # 311)	311B0600	2
WASHER-PLAIN-SMALL,6MM (Ref # 410)	410B0600	2
W-PLAIN-S,8MM (Ref # 410A)	410E0800	2
PIN-COTTER,2.0X22 (Ref # 550)	550D2022	2
PIN-SNAP (Ref # 554)	554A0600	2
PIN-SNAP,8MM (Ref # 554A)	554A0800	2
BRACKET,DIFF LOCK (Ref # 11047)	11047-1043	2
TRIM,L=22 (Ref # 53044)	53044-7503	2
CABLE-BRAKE,PARKING,FR (Ref # 54005)	54005-1198	1
CABLE-BRAKE,PARKING,RR,LH (Ref # 54005A)	54005-7501	1
CABLE-BRAKE,PARKING,RR,RH (Ref # 54005B)	54005-7502	1
CABLE,DIFF LOCK (Ref # 54010)	54010-7504	1
CABLE,SHIFT CONTROL (Ref # 54010A)	54010-7505	1
CABLE,HI-LOW (Ref # 54010B)	54010-7506	1
CABLE,2-4WD (Ref # 54010C)	54010-7507	1
CABLE-THROTTLE (Ref # 54012)	54012-7505	1
CABLE-STARTER (Ref # 54017)	54017-7502	1
NUT,LOCK,FLANGED,6MM (Ref # 92015)	92015-1675	1
PIN,6X11 (Ref # 92043)	92043-092	2
PIN (Ref # 92043A)	92043-1039	2
PLUG (Ref # 92066)	92066-7503	1
GROMMET (Ref # 92071)	92071-1027	2
BAND,L=365 (Ref # 92072)	92072-1197	1
BAND,L=188 (Ref # 92072A)	92072-1239	3
SPRING (Ref # 92145)	92145-7506	1
CLAMP,CABLE (Ref # 92170)	92170-1372	1
CLAMP,HIGHTENSION CORD (Ref # 92171)	92171-0129	1

Mule 3010 Trans4x4 Hardwoods Green HD PARTS LIST

Cables

ITEM NAME	PART NUMBER	QUANTITY
CLAMP (Ref # 92171A)	92171-1203	2