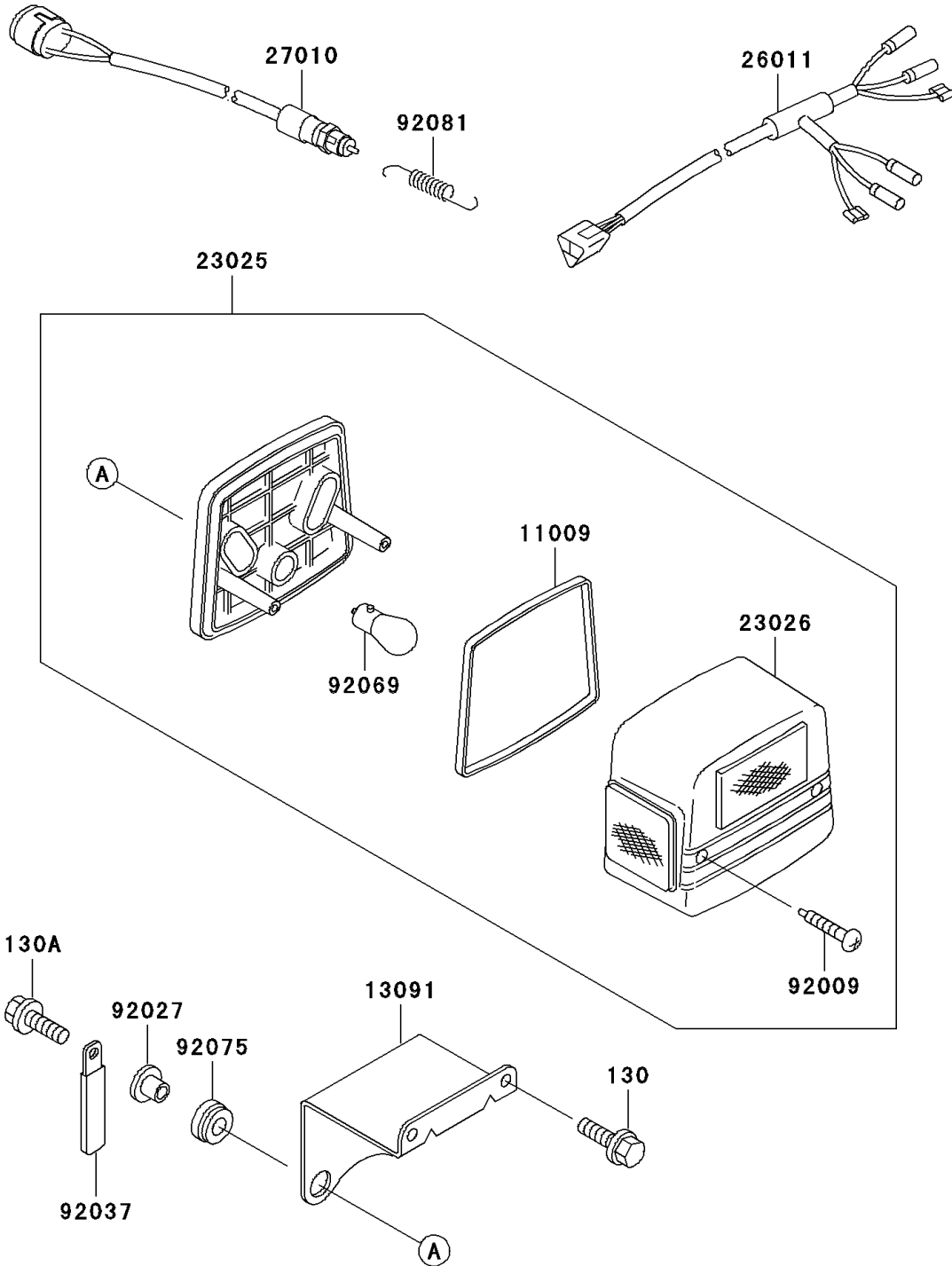


# Mule 3010 Trans4x4 Hardwoods Green HD PARTS DIAGRAM

Taillight(s)

F2720



## Mule 3010 Trans4x4 Hardwoods Green HD PARTS LIST

### Taillight(s)

ITEM NAME	PART NUMBER	QUANTITY
BOLT-FLANGED,6X16,BLACK (Ref # 130)	130J0616	4
BOLT-FLANGED,M6X20 (Ref # 130A)	130J0620	4
GASKET,TAIL LAMP (Ref # 11009)	11009-1215	2
HOLDER,TAIL LAMP (Ref # 13091)	13091-1743	2
LAMP-TAIL (Ref # 23025)	23025-1042	2
LENS,TAIL LAMP (Ref # 23026)	23026-1019	2
WIRE-LEAD (Ref # 26011)	26011-1756	1
SWITCH,BRAKE LAMP (Ref # 27010)	27010-1301	1
SCREW,TAPPING,4X25 (Ref # 92009)	92009-1069	4
COLLAR,L=11.1 (Ref # 92027)	92027-194	4
CLAMP,L=60 (Ref # 92037)	92037-1069	2
BULB,12V20/5W (Ref # 92069)	92069-1011	2
DAMPER (Ref # 92075)	92075-277	4
SPRING,HOOK RETURN (Ref # 92081)	92081-1466	1