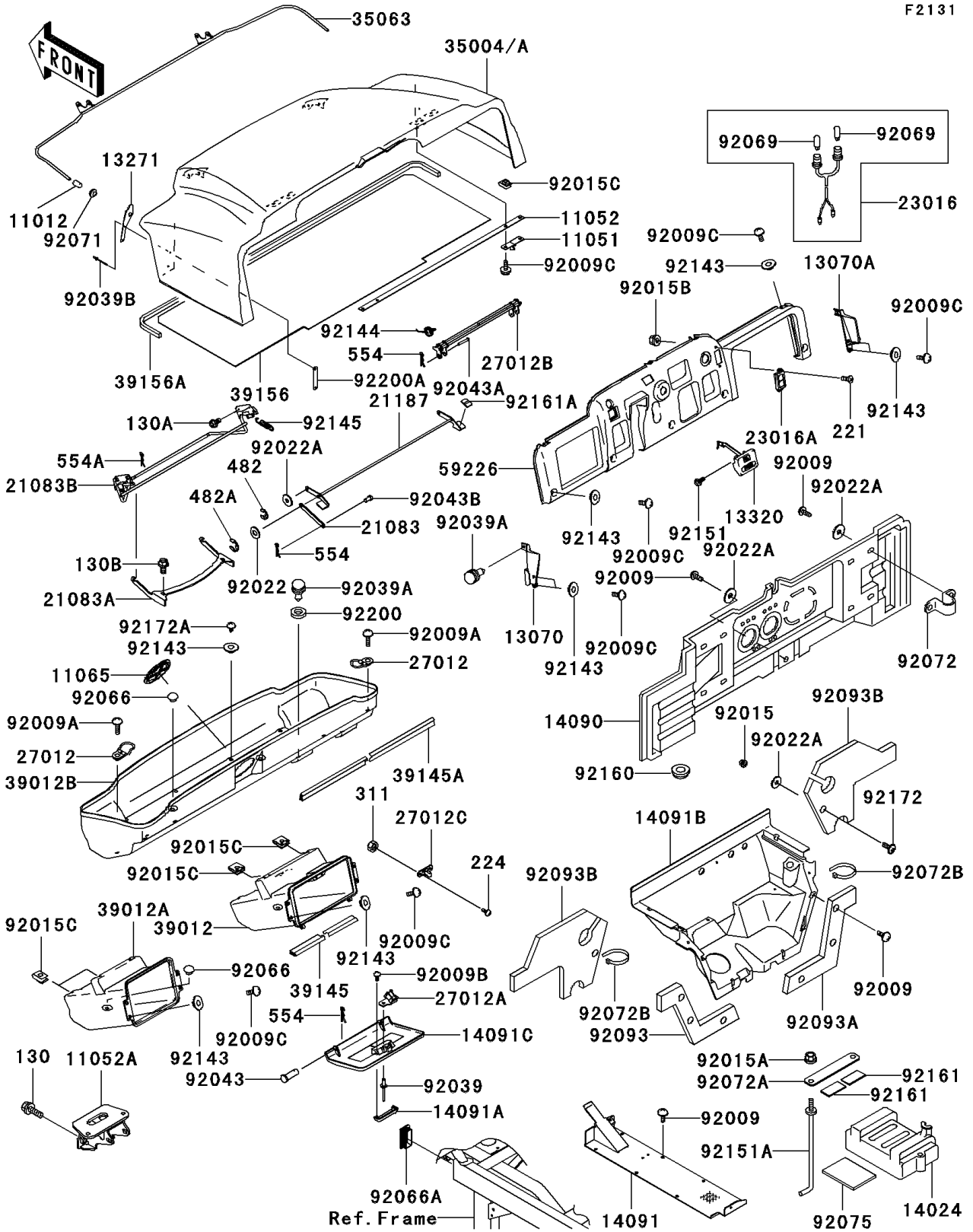


2008 Mule 3000 PARTS DIAGRAM

Frame Fittings

F2131



2008 Mule 3000 PARTS LIST

Frame Fittings

ITEM NAME	PART NUMBER	QUANTITY
CAP (Ref # 11012)	11012-1985	2
BRACKET (Ref # 11051)	11051-1756	2
BRACKET (Ref # 11052)	11052-1369	1
BRACKET,FRONT GEAR CASE (Ref # 11052A)	11052-1575	1
CAP,F.BLACK (Ref # 11065)	11065-1053-6Z	1
GUIDE,LH (Ref # 13070)	13070-1367	1
GUIDE,RH (Ref # 13070A)	13070-1368	1
PLATE,RR (Ref # 13271)	13271-1800	2
LEVER-ASSY (Ref # 13320)	13320-1016	1
COVER,BATTERY (Ref # 14024)	14024-1792	1
COVER,SEAT UNDER (Ref # 14090)	14090-1247	1
COVER,FLOOR,CNT (Ref # 14091)	14091-0118	1
COVER,STORAGE GRIP,GRAY (Ref # 14091A)	14091-1228-284	1
COVER,FLOOR (Ref # 14091B)	14091-1378	1
COVER,CONTROL PANEL,GRAY (Ref # 14091C)	14091-1399-284	1
ARM (Ref # 21083)	21083-1146	2
ARM (Ref # 21083A)	21083-1163	1
ARM (Ref # 21083B)	21083-1172	1
ARM-ASSY (Ref # 21187)	21187-1085	1
LAMP-ASSY,INDICATOR (Ref # 23016)	23016-1188	1
LAMP-ASSY (Ref # 23016A)	23016-1189	1
HOOK (Ref # 27012)	27012-1577	4
HOOK (Ref # 27012A)	27012-1607	1
HOOK (Ref # 27012B)	27012-1608	1
HOOK (Ref # 27012C)	27012-1612	1
FENDER-FRONT,A.RED (Ref # 35004)	35004-0007-260	1
FENDER-FRONT,W.GREEN (Ref # 35004A)	35004-0007-286	1
STAY,FR FENDER (Ref # 35063)	35063-1203	1
CASE-STORAGE,RH,GRAY (Ref # 39012)	39012-1061-284	1

2008 Mule 3000 PARTS LIST

Frame Fittings

ITEM NAME	PART NUMBER	QUANTITY
CASE-STORAGE,LH,GRAY (Ref # 39012A)	39012-1062-284	1
CASE-STORAGE,CNT (Ref # 39012B)	39012-1066	1
TRIM-SEAL,L=774 (Ref # 39145)	39145-1130	1
TRIM-SEAL,L=2805 (Ref # 39145A)	39145-1132	1
PAD,FRONT FENDER (Ref # 39156)	39156-0014	1
PAD (Ref # 39156A)	39156-1685	1
PANEL-CONTROL,GRAY (Ref # 59226)	59226-1060-284	1
SCREW,TAPPING,6X16 (Ref # 92009)	92009-1166	21
SCREW,6X22,BLACK (Ref # 92009A)	92009-1256	4
SCREW,TAPPING,4X12 (Ref # 92009B)	92009-1444	2
SCREW,6X16 (Ref # 92009C)	92009-1621	25
BOLT-FLANGED,10X20 (Ref # 130)	130BA1020	3
BOLT-FLANGED,6X16 (Ref # 130A)	130BB0616	4
BOLT-FLANGED,8X16 (Ref # 130B)	130BB0816	2
SCREW-CSK-CROS,6X16 (Ref # 221)	221AB0616	2
SCREW-PAN-WP-CROS,4X12 (Ref # 224)	224AB0412	2
NUT,FLANGED,6MM,BLACK (Ref # 92015)	92015-1233	2
NUT,FLANGED,8MM (Ref # 92015A)	92015-1406	2
NUT,LOCK,FLANGED,6MM (Ref # 92015B)	92015-1603	2
NUT,CLAMP,6MM (Ref # 92015C)	92015-1678	8
WASHER,8.5X20X1.6,BLACK (Ref # 92022)	92022-1317	AR
WASHER,6.5X20X1.6,BLACK (Ref # 92022A)	92022-1346	13
RIVET (Ref # 92039)	92039-1041	2
RIVET (Ref # 92039A)	92039-1229	6
RIVET (Ref # 92039B)	92039-1244	4
PIN,6X14.5 (Ref # 92043)	92043-125	2
PIN,6X39 (Ref # 92043A)	92043-1625	2
PIN,6X9 (Ref # 92043B)	92043-1626	2
PLUG (Ref # 92066)	92066-1485	4

2008 Mule 3000 PARTS LIST

Frame Fittings

ITEM NAME	PART NUMBER	QUANTITY
PLUG (Ref # 92066A)	92066-7505	2
BULB,12V 3W,T7 (Ref # 92069)	92069-1020	2
GROMMET,10MM (Ref # 92071)	92071-019	2
BAND (Ref # 92072)	92072-1252	4
BAND,L=159 (Ref # 92072A)	92072-1399	1
BAND,L=368.3 (Ref # 92072B)	92072-3872	2
DAMPER (Ref # 92075)	92075-1076	1
SEAL,FRONT FENDER,LH (Ref # 92093)	92093-1293	1
SEAL,FRONT FENDER,RH (Ref # 92093A)	92093-1294	1
SEAL,LOWER COVER (Ref # 92093B)	92093-1295	2
COLLAR (Ref # 92143)	92143-1087	25
SPRING,SEAT HOOK (Ref # 92144)	92144-1174	2
SPRING (Ref # 92145)	92145-1335	2
BOLT,FLANGED,5X12 (Ref # 92151)	92151-1305	2
BOLT,BATTERY (Ref # 92151A)	92151-1897	2
DAMPER (Ref # 92160)	92160-1148	2
DAMPER (Ref # 92161)	92161-0032	2
DAMPER (Ref # 92161A)	92161-1197	2
SCREW,6X18 (Ref # 92172)	92172-0002	2
SCREW,TAPPING,6X12 (Ref # 92172A)	92172-0003	4
WASHER,8.5X26X0.8 (Ref # 92200)	92200-1567	4
WASHER (Ref # 92200A)	92200-1592	2
NUT-HEX (Ref # 311)	311C0400	2
CIRCLIP-TYPE-E,5MM (Ref # 482)	482L5000	2
CIRCLIP-TYPE-E (Ref # 482A)	482L7000	2
PIN-SNAP (Ref # 554)	554A0600	6
PIN-SNAP,8MM (Ref # 554A)	554A0800	2