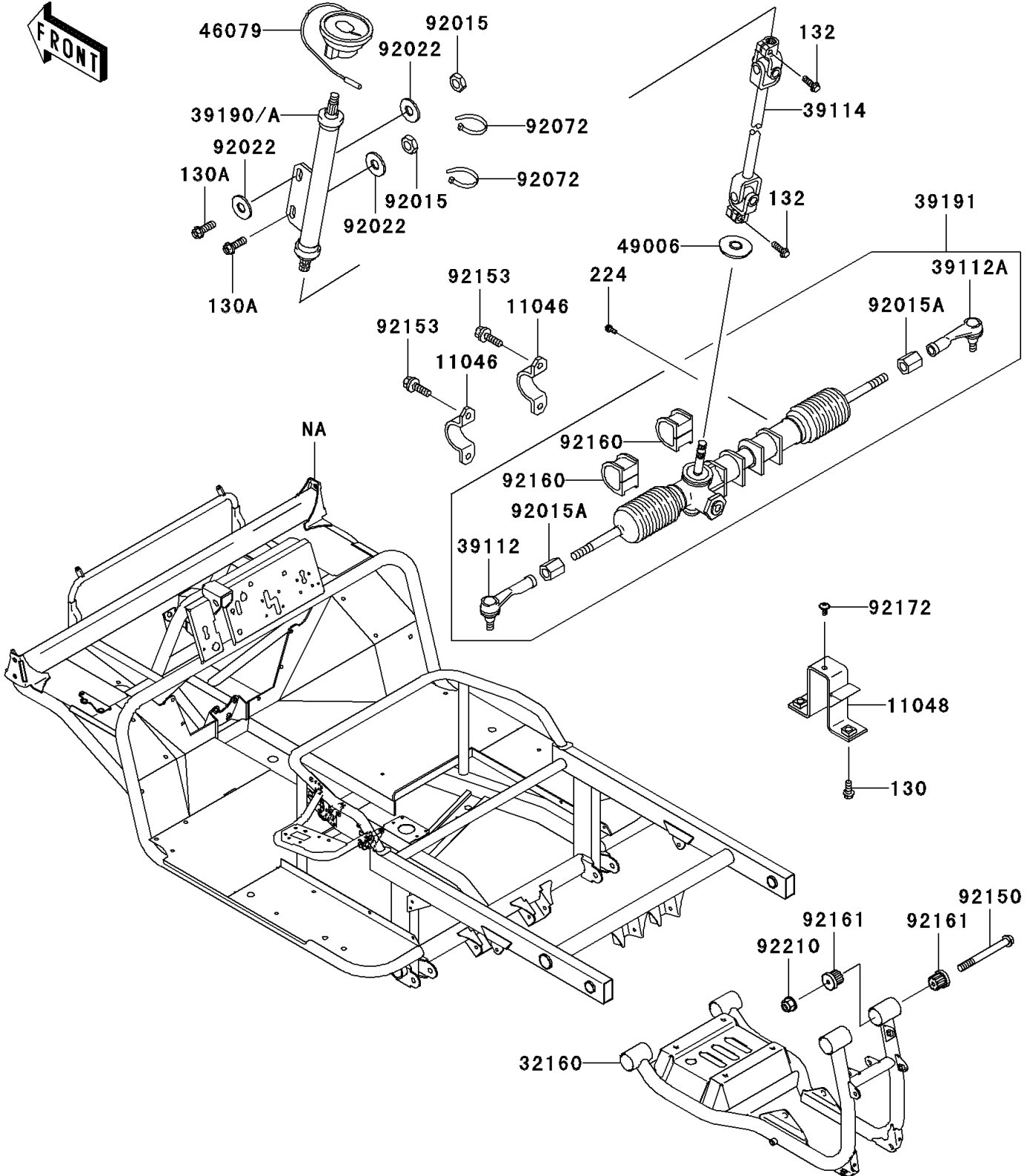


# Mule 3010 4x4 Hardwoods Green HD PARTS DIAGRAM

Frame

F2120



# Mule 3010 4x4 Hardwoods Green HD PARTS LIST

Frame

ITEM NAME	PART NUMBER	QUANTITY
-----------	-------------	----------