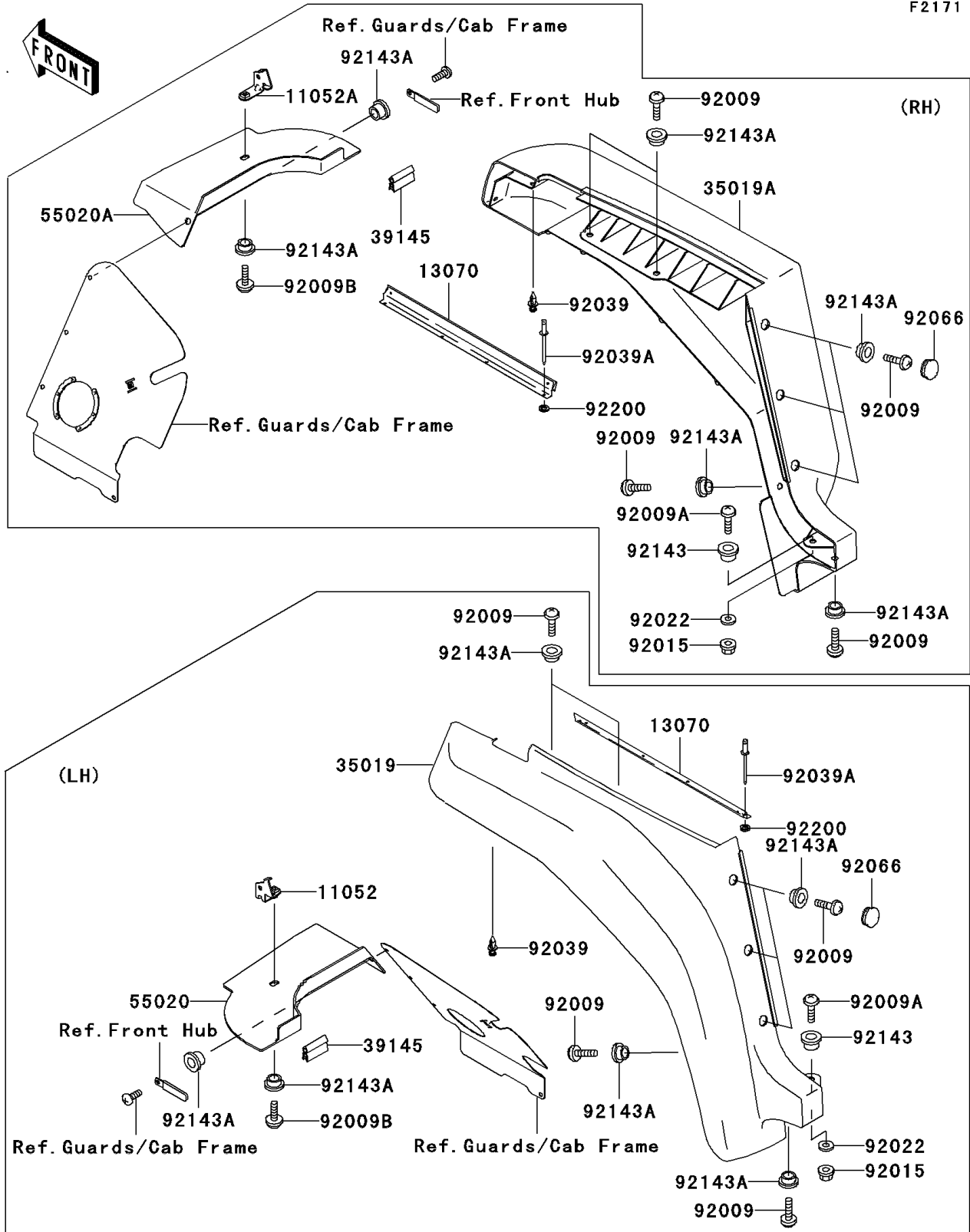


# Mule 3010 4x4 Hardwoods Green HD PARTS DIAGRAM

Front Fender(s)

F2171



# Mule 3010 4x4 Hardwoods Green HD PARTS LIST

Front Fender(s)

ITEM NAME	PART NUMBER	QUANTITY
-----------	-------------	----------