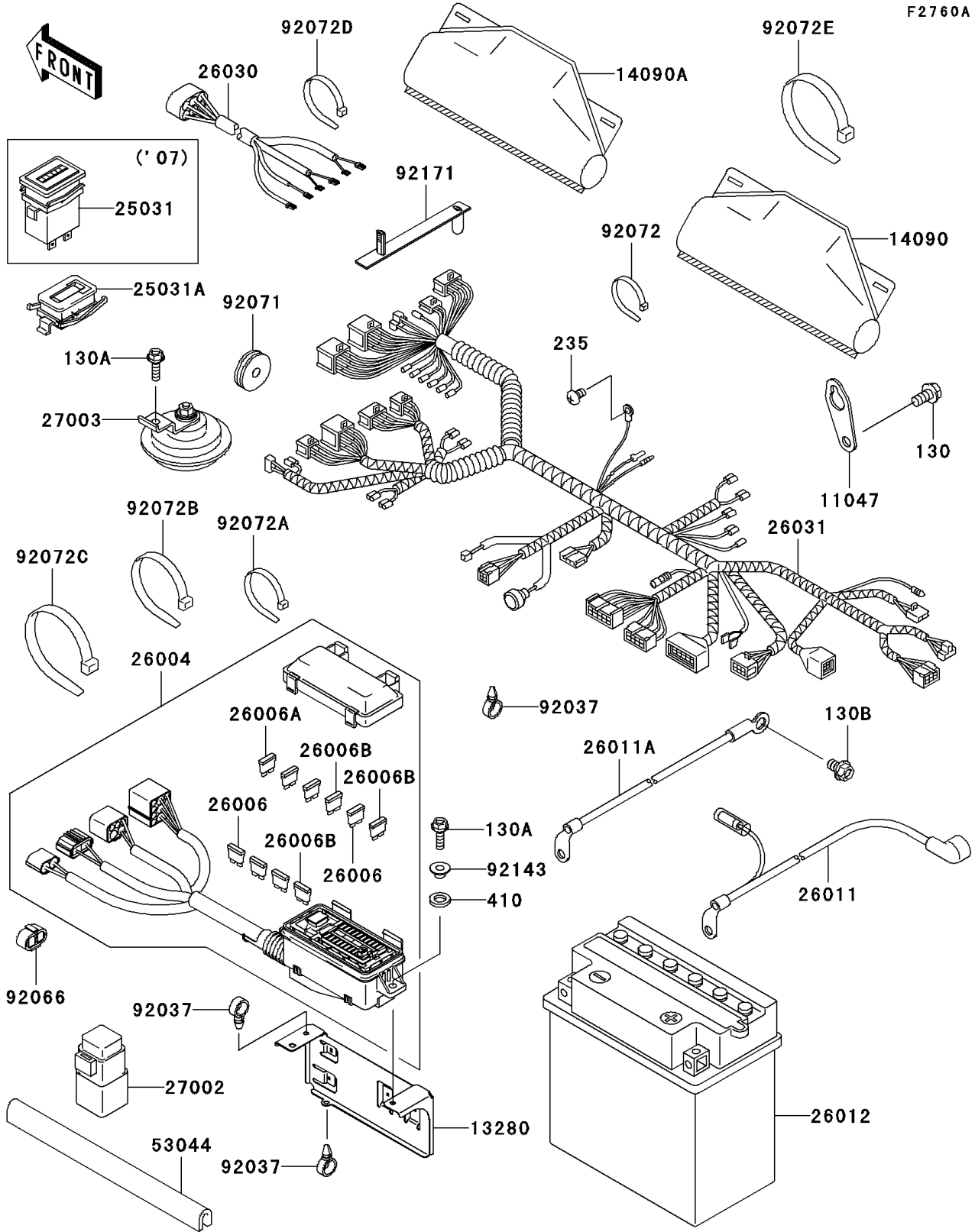


2008 Mule 3010 4x4 Hardwoods Green HD PARTS DIAGRAM

Chassis Electrical Equipment(H7F/H8F)



2008 Mule 3010 4x4 Hardwoods Green HD PARTS LIST

Chassis Electrical Equipment(H7F/H8F)

ITEM NAME	PART NUMBER	QUANTITY
BOLT-FLANGED,8X16 (Ref # 130)	130BA0816	1
BOLT-FLANGED,6X20 (Ref # 130A)	130BB0620	3
BOLT-FLANGED,8X12 (Ref # 130B)	130BB0812	1
SCREW-PAN-WP-CROS,6X10 (Ref # 235)	235AA0610	1
WASHER-PLAIN-SMALL,10MM,BLACK (Ref # 410)	410F1000	2
BRACKET,F.BLACK (Ref # 11047)	11047-2056-9H	1
HOLDER (Ref # 13280)	13280-1220	1
COVER,COUPLER (Ref # 14090)	14090-1331	1
COVER,COUPLER (Ref # 14090A)	14090-1611	1
METER-ASSY,HOUR (Ref # 25031A)	25031-7506	1
FUSE-ASSY (Ref # 26004)	26004-0004	1
FUSE,5A (Ref # 26006)	26006-1077	2
FUSE,20A (Ref # 26006A)	26006-1079	5
FUSE,30A (Ref # 26006B)	26006-1080	3
WIRE-LEAD,BATTERY(+) (Ref # 26011)	26011-0106	1
WIRE-LEAD,BATTERY(-) (Ref # 26011A)	26011-1787	1
BATTERY,YTX20L-BS,12V 18AH (Ref # 26012)	26012-3728	1
HARNESS (Ref # 26030)	26030-2322	1
HARNESS,MAIN (Ref # 26031)	26031-0435	1
RELAY-ASSY (Ref # 27002)	27002-1068	1
HORN (Ref # 27003)	27003-1276	1
TRIM (Ref # 53044)	53044-1137	1
CLAMP,HOSE (Ref # 92037)	92037-1827	3
PLUG (Ref # 92066)	92066-1539	1
GROMMET (Ref # 92071)	92071-1136	1
BAND,L=123 (Ref # 92072)	92072-030	5
BAND,L=149 (Ref # 92072A)	92072-031	2
BAND,L=202 (Ref # 92072B)	92072-1195	1
BAND,L=250 (Ref # 92072C)	92072-1237	2

2008 Mule 3010 4x4 Hardwoods Green HD PARTS LIST

Chassis Electrical Equipment(H7F/H8F)

ITEM NAME	PART NUMBER	QUANTITY
BAND,L=188 (Ref # 92072D)	92072-1239	14
BAND,L=368.3 (Ref # 92072E)	92072-3872	8
COLLAR (Ref # 92143)	92143-1057	2
CLAMP (Ref # 92171)	92171-1365	1