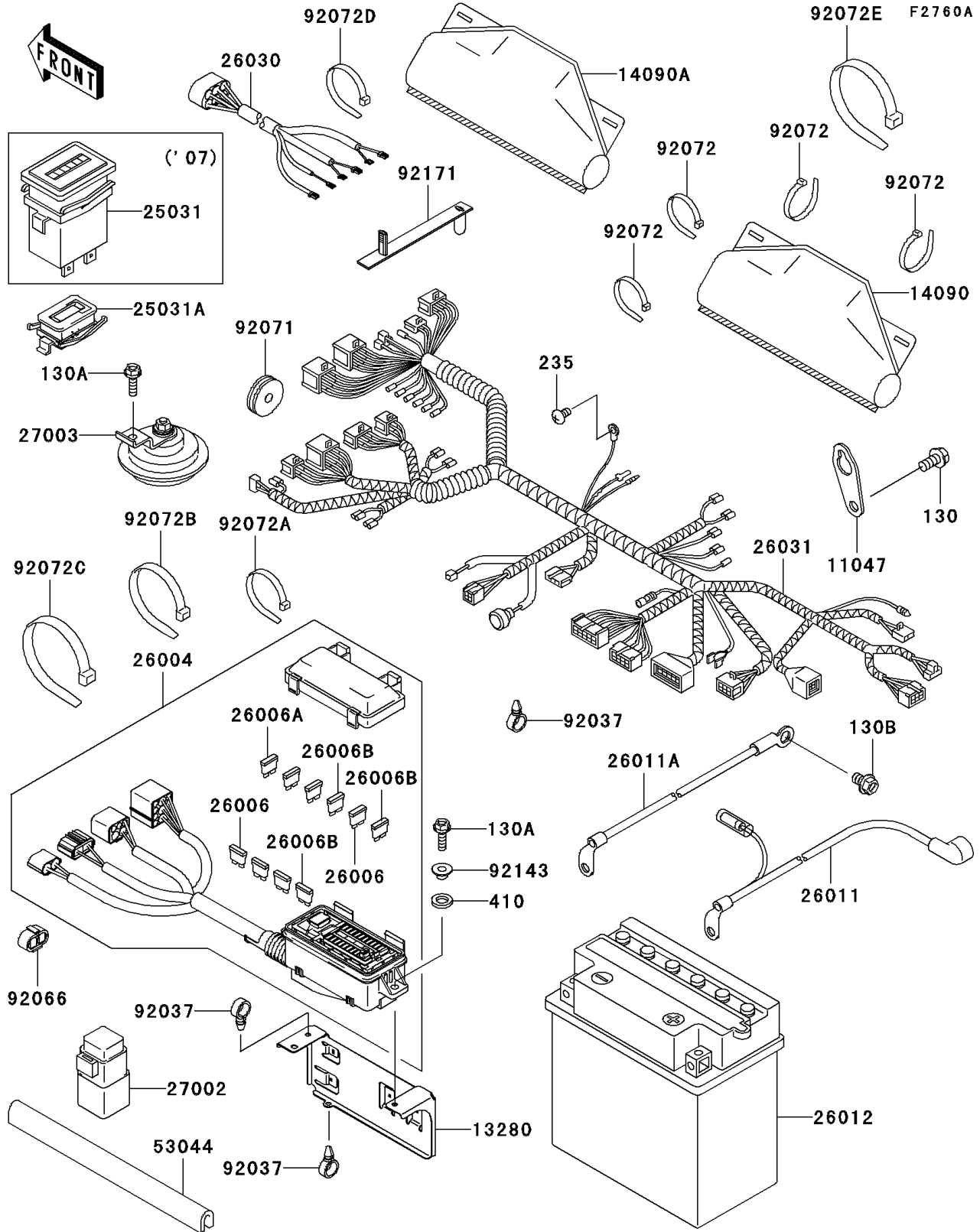


2008 Mule 3010 4X4 PARTS DIAGRAM

Chassis Electrical Equipment(E7F/E8F)



2008 Mule 3010 4X4 PARTS LIST

Chassis Electrical Equipment(E7F/E8F)

ITEM NAME	PART NUMBER	QUANTITY
-----------	-------------	----------