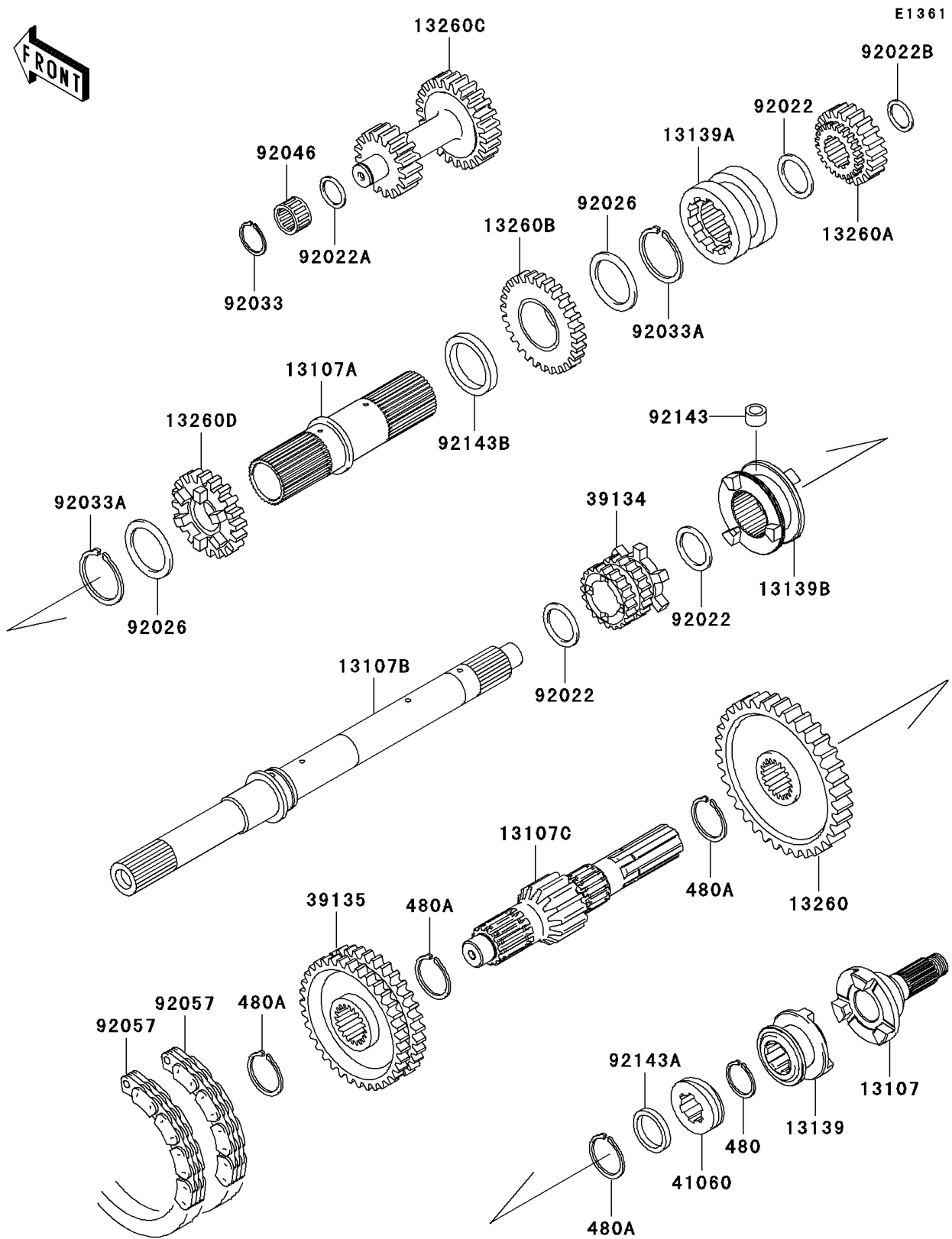


# Mule 3010 Diesel 4X4 PARTS DIAGRAM

Transmission



# Mule 3010 Diesel 4X4 PARTS LIST

Transmission

ITEM NAME	PART NUMBER	QUANTITY
-----------	-------------	----------