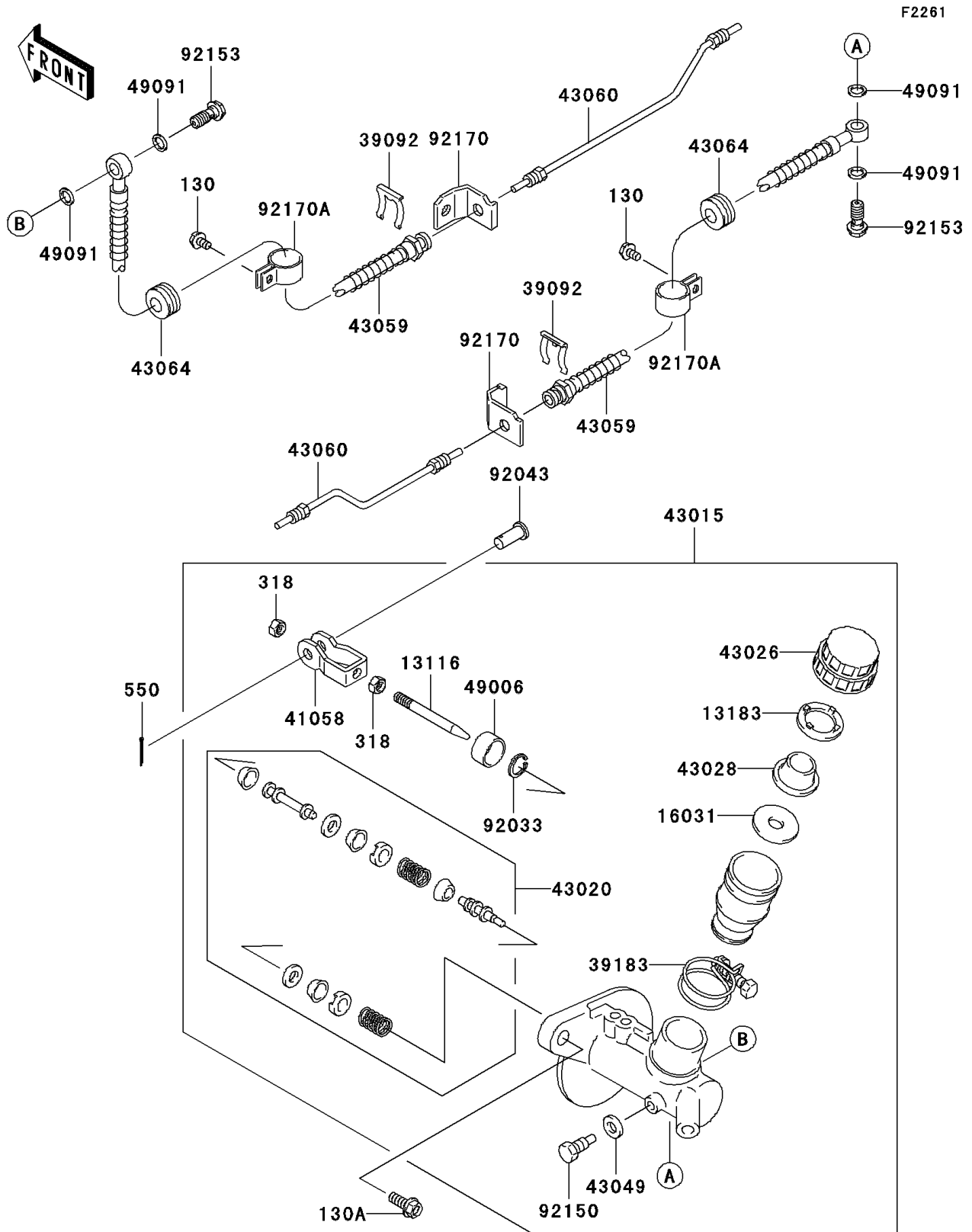


Mule 3010 Diesel 4X4 PARTS DIAGRAM

Master Cylinder



Mule 3010 Diesel 4X4 PARTS LIST

Master Cylinder

| ITEM NAME | PART NUMBER | QUANTITY |
|---|-------------|----------|
| BOLT-FLANGED,6X10 (Ref # 130) | 130D0610 | 2 |
| BOLT-FLANGED,8X20 (Ref # 130A) | 130D0820 | 2 |
| NUT-HEX-SMALL (Ref # 318) | 318H0800 | 2 |
| PIN-COTTER,2.5X18 (Ref # 550) | 550D2518 | 1 |
| ROD-PUSH (Ref # 13116) | 13116-1134 | 1 |
| PLATE (Ref # 13183) | 13183-1306 | 1 |
| FLOAT (Ref # 16031) | 16031-1069 | 1 |
| PIN-HAIR (Ref # 39092) | 39092-1052 | 2 |
| BAND-ASSY (Ref # 39183) | 39183-1055 | 1 |
| RODEND-BRAKE (Ref # 41058) | 41058-1053 | 1 |
| CYLINDER-ASSY-MASTER (Ref # 43015) | 43015-1682 | 1 |
| PISTON-COMP-BRAKE (Ref # 43020) | 43020-1124 | 1 |
| CAP-BRAKE (Ref # 43026) | 43026-1067 | 1 |
| DIAPHRAGM (Ref # 43028) | 43028-1078 | 1 |
| PACKING (Ref # 43049) | 43049-1065 | 1 |
| HOSE-BRAKE,FR (Ref # 43059) | 43059-1489 | 2 |
| PIPE-BRAKE,FR (Ref # 43060) | 43060-1082 | 2 |
| GROMMET,HOSE CLAMP (Ref # 43064) | 43064-007 | 2 |
| BOOT (Ref # 49006) | 49006-1245 | 1 |
| WASHER-SEAL,10.1X14.5X1.5 (Ref # 49091) | 49091-0001 | 4 |
| RING-SNAP (Ref # 92033) | 92033-1255 | 1 |
| PIN (Ref # 92043) | 92043-1039 | 1 |
| BOLT,STOP (Ref # 92150) | 92150-1165 | 1 |
| BOLT,OIL,L=23 (Ref # 92153) | 92153-0627 | 2 |
| CLAMP,BRAKE PIPE (Ref # 92170) | 92170-1093 | 2 |
| CLAMP,HOSE (Ref # 92170A) | 92170-1173 | 2 |