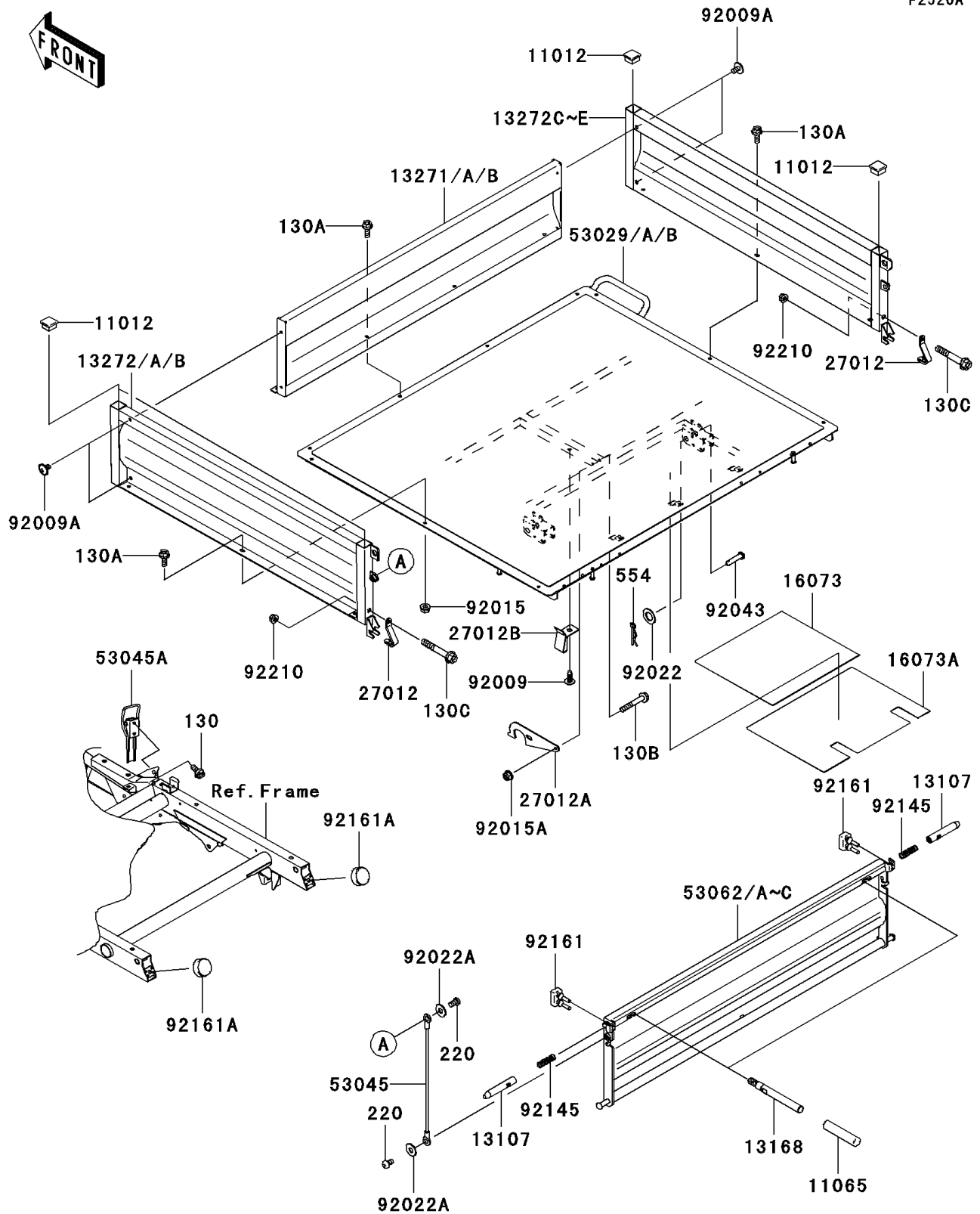


2008 Mule 600 PARTS DIAGRAM

Carrier(s)(B8F/B9F)



2008 Mule 600 PARTS LIST

Carrier(s)(B8F/B9F)

ITEM NAME	PART NUMBER	QUANTITY
CAP (Ref # 11012)	11012-1784	4
CAP (Ref # 11065)	11065-0126	2
SHAFT (Ref # 13107)	13107-0082	2
LEVER (Ref # 13168)	13168-0090	2
PLATE,CARRIER,SIDE,FR,A.RED (Ref # 13271B)	13271-0394-467	1
PLATE,CARRIER,SIDE,LH,A.RED (Ref # 13272B)	13272-0102-467	1
PLATE,CARRIER,SIDE,RH,A.RED (Ref # 13272E)	13272-0103-467	1
INSULATOR,CARRIER (Ref # 16073)	16073-0039	1
INSULATOR,CARRIER (Ref # 16073A)	16073-0040	1
HOOK,TAIL GATE (Ref # 27012)	27012-0022	2
HOOK (Ref # 27012A)	27012-0044	1
HOOK,CARRIER (Ref # 27012B)	27012-1445	1
CARRIER,A.RED (Ref # 53029B)	53029-0018-467	1
HOOK-ASSY,TAIL GATE (Ref # 53045)	53045-0006	2
HOOK-ASSY (Ref # 53045A)	53045-1063	1
GATE-TAIL,A.RED (Ref # 53062A)	53062-0005-467	1
SCREW,TAPPING,6X16 (Ref # 92009)	92009-1166	1
SCREW,6X10 (Ref # 92009A)	92009-1661	4
NUT,FLANGED,6MM,BLACK (Ref # 92015)	92015-1233	10
NUT,LOCK,FLANGED,6MM (Ref # 92015A)	92015-1675	1
WASHER,12.5X22X1.2 (Ref # 92022)	92022-072	2
WASHER,7X18X1.2 (Ref # 92022A)	92022-1545	4
PIN,12X54 (Ref # 92043)	92043-1451	2
SPRING,TENSIONER (Ref # 92145)	92145-1215	2
BOLT-FLANGED,6X14 (Ref # 130)	130BB0614	2
BOLT-FLANGED,6X16 (Ref # 130A)	130BB0616	10
BOLT-FLANGED,6X40 (Ref # 130B)	130BB0640	1
BOLT-FLANGED,8X50 (Ref # 130C)	130BB0850	2
SCREW-PAN-CROSS,6X10 (Ref # 220)	220AB0610	4

2008 Mule 600 PARTS LIST

Carrier(s)(B8F/B9F)

ITEM NAME	PART NUMBER	QUANTITY
PIN-SNAP,12MM (Ref # 554)	554DA1200	2
DAMPER (Ref # 92161)	92161-0258	2
DAMPER,SEAT (Ref # 92161A)	92161-1065	2
NUT,FLANGED,8MM (Ref # 92210)	92210-0555	2
PLATE,CARRIER,SIDE,FR,W.GREEN (Ref # 13271A)	13271-0394-398	1
PLATE,CARRIER,SIDE,LH,W.GREEN (Ref # 13272A)	13272-0102-398	1
PLATE,CARRIER,SIDE,RH,W.GREEN (Ref # 13272D)	13272-0103-398	1
CARRIER,W.GREEN (Ref # 53029A)	53029-0018-398	1
GATE-TAIL,W.GREEN (Ref # 53062)	53062-0005-398	1