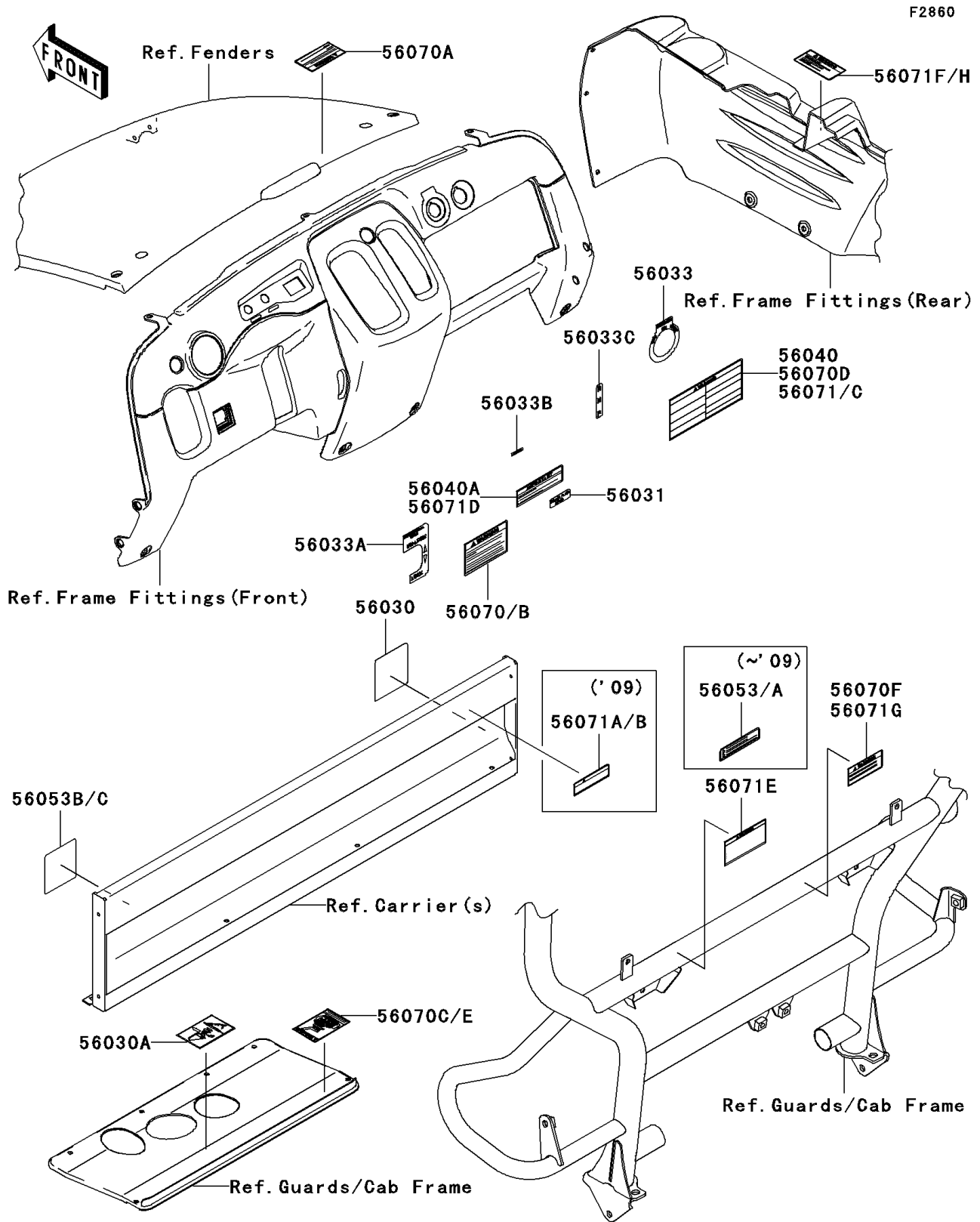


2008 Mule 600 PARTS DIAGRAM

Labels



2008 Mule 600 PARTS LIST

Labels

| ITEM NAME | PART NUMBER | QUANTITY |
|---|-------------|----------|
| LABEL,CARRIER HOOK OPERATION (Ref # 56030) | 56030-0081 | 1 |
| LABEL,OIL GAUGE (Ref # 56030A) | 56030-0096 | 1 |
| LABEL-MANUAL,BRAKE FLUID LEVEL (Ref # 56031) | 56031-1818 | 1 |
| LABEL-MANUAL,IGNITION (Ref # 56033) | 56033-0051 | 1 |
| LABEL-MANUAL,DIFF LOCK (Ref # 56033A) | 56033-0053 | 1 |
| LABEL-MANUAL,PARKING (Ref # 56033B) | 56033-0055 | 1 |
| LABEL-MANUAL,SHIFT (Ref # 56033C) | 56033-0062 | 1 |
| LABEL-WARNING,GENERAL (Ref # 56040) | 56040-1339 | 1 |
| LABEL-WARNING,SHIFT CAUTION (Ref # 56040A) | 56040-1342 | 1 |
| LABEL-SPECIFICATION,CARGO BED (Ref # 56053) | 56053-0060 | 1 |
| LABEL-SPECIFICATION,TIRE ROAD (Ref # 56053B) | 56053-0123 | 1 |
| LABEL-WARNING,OFF-HIGHWAY (Ref # 56070) | 56070-0050 | 1 |
| LABEL-WARNING,BONNET OPERATION (Ref # 56070A) | 56070-0053 | 1 |
| LABEL-WARNING,HOT SURFACES (Ref # 56070C) | 56070-1125 | 1 |
| LABEL-WARNING,BED RAISED (Ref # 56070F) | 56070-7515 | 1 |
| LABEL-WARNING,GASOLINE (Ref # 56071F) | 56071-7501 | 1 |
| LABEL-SPECIFICATION,CARGO BED (Ref # 56053A) | 56053-0066 | 1 |
| LABEL-SPECIFICATION,TIRE ROAD (Ref # 56053C) | 56053-0124 | 1 |
| LABEL,OFF-HIGHWAY(FRENCH) (Ref # 56070B) | 56070-0055 | 1 |
| LABEL,GENERAL(FRENCH) (Ref # 56070D) | 56070-1206 | 1 |
| LABEL,HOT SURFACES(FRENCH) (Ref # 56070E) | 56070-1234 | 1 |
| LABEL,BED RAISED(FRENCH) (Ref # 56071G) | 56071-7504 | 1 |
| LABEL,GASOLINE(FRENCH) (Ref # 56071H) | 56071-7505 | 1 |